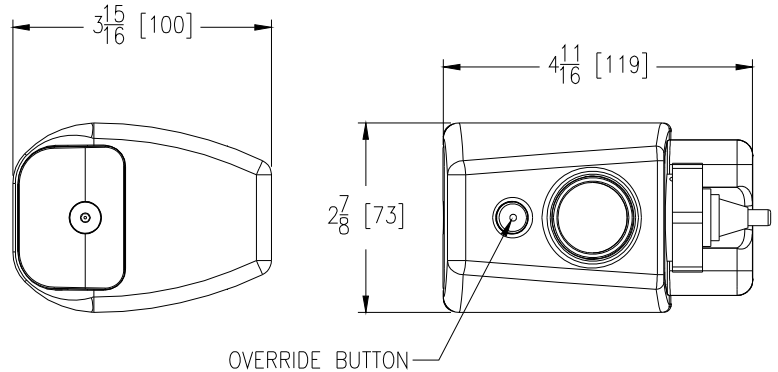


ZERK-CPM

Sensor Operated Battery Powered Retrofit Kit for Water Closet and Urinal Flush Valves



Accessories

- CB Cambridge Brass Retro Fit
- GM Sloan/Gem Retro Fit
- HMK Highmount Adapter
- LY Delaney Valve Retro Fit
- MC Metroflush/Crown Valve Retro Fit
- _____ Other

ENGINEERING SPECIFICATIONS

AquaSense® E-Z Flush Unit designed to provide automatic flushing for urinals and/or water closet flush valves.

- Chrome Plated Metal Cover
- Sensor
 - Infrared
 - User in-view L.E.D
 - Low battery indicator light
 - 24 hour auto-flush setting
 - 3 second delay flush
- Override Button
- 6 VDC Motor Actuator
 - Ultra energy efficient electronics
 - 4 "C" size batteries (Included)
- ADA Compliant
- Included tools
 - Wrench for installation
 - Allen key for battery compartment

Architectural/Engineering Approval

The information contained in this document is subject to change without notice.
Please contact Zurn for most up to date information.

ZURN INDUSTRIES, LLC. ♦ COMMERCIAL BRASS OPERATION
5900 ELWIN BUCHANAN DRIVE ♦ SANFORD NC 27330
PHONE: 1-800-997-3876 ♦ FAX: 919-775-3541
WWW.ZURN.COM
IN CANADA: ZURN INDUSTRIES LIMITED
3544 NASHUA DRIVE ♦ MISSISSAUGA, ONTARIO L4V1L2
PHONE: 905-405-8272 FAX: 905-405-1292