

For Residential and Commercial Applications

Job Name _____
 Job Location _____
 Engineer _____
 Approval _____

Contractor _____
 Approval _____
 Contractor's P.O. No. _____
 Representative _____

Series IPFX
Isolation Pump with Swivel
Flanges for Circulator Pumps

Sizes: 3/4" – 2"

Series IPFX Isolation Pump Flanges are designed to isolate circulator pumps to facilitate circulator pump replacement or repair.

Features

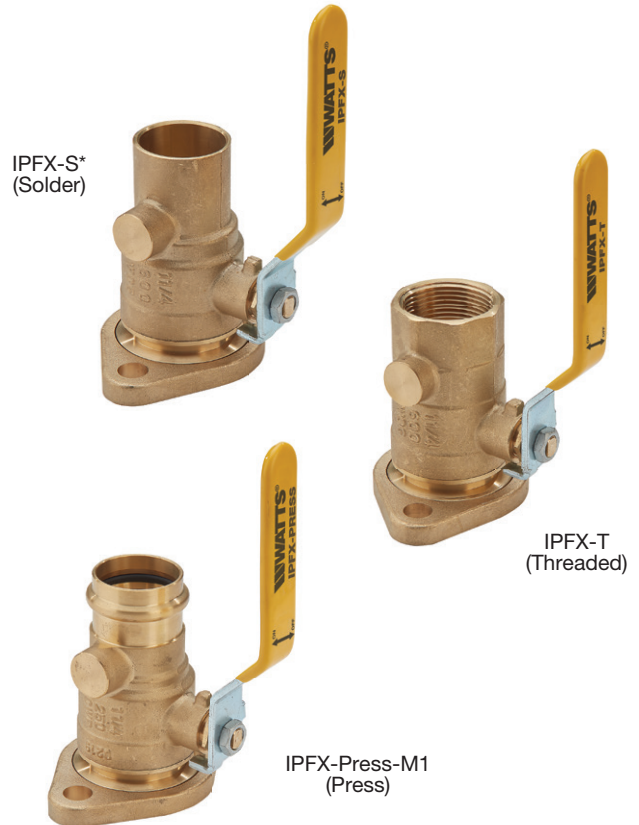
- Swivel Flange allows for optimal positioning during installation
- Fits most circulator pumps
- Includes mounting nuts and bolts
- Durable brass body and flange
- High Pressure Rating (600 WOG for solder and threaded and 250 WOG for Press)
- Adjustable packing gland
- EPDM O-rings to avoid leaks at installation

Models

- IPFX-T 3/4" – 2" NPT threaded end connection
- IPFX-S 3/4" – 2" Solder end connection
- IPFX-Press 3/4" - 2" Press end connection

Specifications

Approved isolation pump flange of 2-piece design constructed of brass body and end adapter. Pump flange shall have adjustable PTFE packing and an EPDM O-ring on a brass stem with virgin PTFE seats. Threaded and Solder valves to be pressure rated to 600psi (41.4 bar) WOG. Press valves to be pressure rated to 250psi (17 bar) CWP. Valves with lower pressure ratings are not acceptable. Approved valve is a Watts Series IPFX-T (threaded) or IPFX-S (solder) or IPFX-PRESS (Press).



*This valve is designed to be soft soldered into lines without disassembly, using a low temperature solder to 420°F (216°C). Higher temperature solders may damage the seat material. Apply heat with the flame directed AWAY from the center of the valve body. Excessive heat can harm the seats.

NOTICE

The information contained herein is not intended to replace the full product installation and safety information available or the experience of a trained product installer. You are required to thoroughly read all installation instructions and product safety information before beginning the installation of this product.

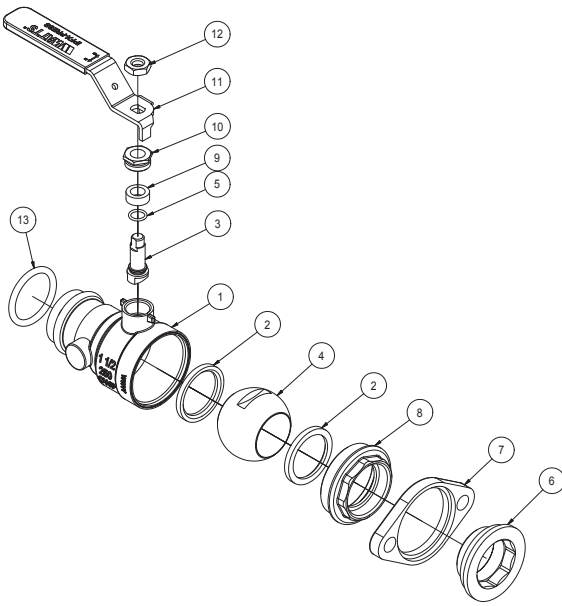
NOTICE

Inquire with governing authorities for local installation requirements

Watts product specifications in U.S. customary units and metric are approximate and are provided for reference only. For precise measurements, please contact Watts Technical Service. Watts reserves the right to change or modify product design, construction, specifications, or materials without prior notice and without incurring any obligation to make such changes and modifications on Watts products previously or subsequently sold.



Materials



- | | | |
|-----|--------------------------|-------|
| 1. | Body | Brass |
| 2. | Seat | PTFE |
| 3. | Stem | Brass |
| 4. | Ball | Brass |
| 5. | O-ring | EPDM |
| 6. | Adapter | Brass |
| 7. | Flange | Brass |
| 8. | Adapter (1½" & 2" Only) | Brass |
| 9. | Packing | PTFE |
| 10. | Packing Nut | Brass |
| 11. | Handle | Steel |
| 12. | Hex Jam Nut | Steel |
| 13. | O-ring (IPFX-Press Only) | EPDM |

Pressure – Temperature

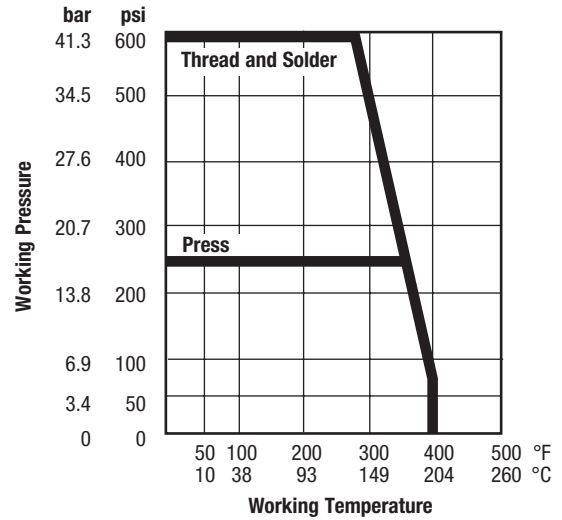
Maximum Working Pressure:

Thread and Solder: 600psi (41.4 bar) WOG

Press - 250psi (17 bar) CWP

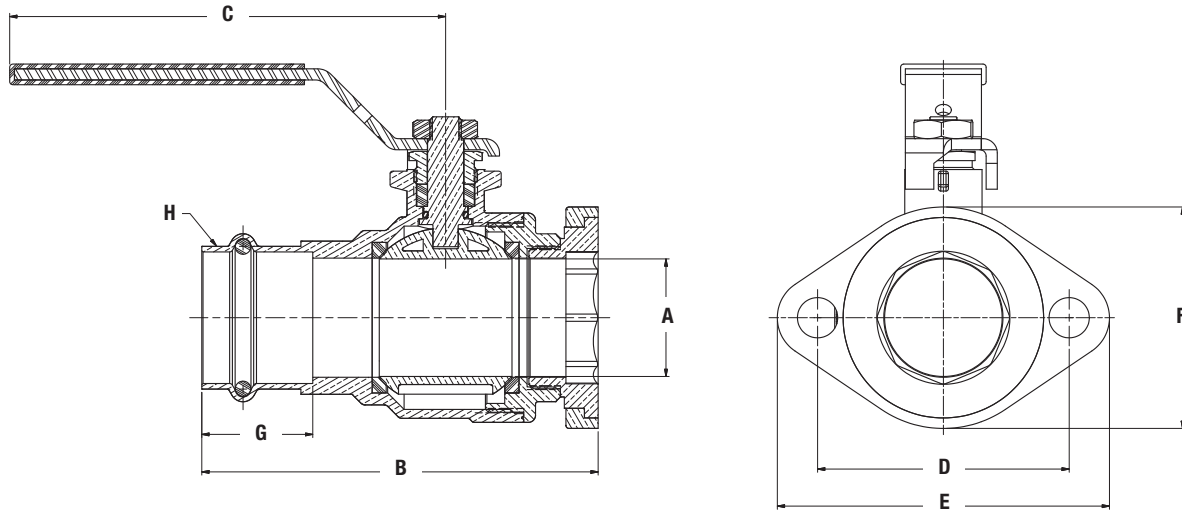
Maximum Temperature: 406°F (208°C) at 100psi (6.9 bar)

Temperature – Pressure Rating



* See applicable note on reverse side for solder end valves with regards to pressure/temperature rating.

Dimensions – Weights



DESCRIPTION	ORDERING CODE	SIZE	SWIVEL FLANGE	DIMENSIONS										WEIGHT						
				Ø A	B		C		D		E		F		G	H	lbs.	kg		
<i>in.</i>				<i>in.</i>	<i>mm</i>	<i>in.</i>	<i>mm</i>	<i>in.</i>	<i>mm</i>	<i>in.</i>	<i>mm</i>	<i>in.</i>	<i>mm</i>	<i>in.</i>	<i>mm</i>	<i>in.</i>	<i>mm</i>	<i>in.</i>		
¾ IPFX-PRESS	0069000	¾	Yes	¾	19	3½	89	3⅝	92	3⅞	79	4⅞	105	2¾	70	1⅜	30	PRESS	1.576	0.72
1 IPFX-PRESS	0069001	1	Yes	15/16	25	3¾	95	4⅞	105	3⅞	79	4⅞	105	2¾	70	1⅜	30	PRESS	1.907	0.87
1¼ IPFX-PRESS	0069002	1¼	Yes	1⅜	30	4	101	5⅞	138	3⅞	79	4⅞	105	2¾	70	1⅜	30	PRESS	2.374	1.08
1½ IPFX-PRESS	0069003	1½	Yes	1⅞	37	4⅞	125	5⅞	138	3⅞	79	4⅞	105	2¾	70	1⅜	35	PRESS	3.115	1.41
2 IPFX-PRESS	0069004	2	Yes	1⅞	47	5⅞	143	6⅞	155	3½	89	4¾	121	3⅞	79	1⅞	40	PRESS	4.614	2.09
¾ IPFX-T	0069005	¾	Yes	¾	19	3⅞	77	3⅝	92	3⅞	79	4⅞	105	2¾	70	–	–	¾ NPT	1.653	0.75
1 IPFX-T	0069006	1	Yes	15/16	25	3⅞	86	4⅞	105	3⅞	79	4⅞	105	2¾	70	–	–	1 NPT	2.050	0.93
1¼ IPFX-T	0069007	1¼	Yes	1⅜	30	3⅞	93	5⅞	138	3⅞	79	4⅞	105	2¾	70	–	–	1¼ NPT	2.608	1.18
1½ IPFX-T	0069008	1½	Yes	1⅞	37	4⅞	109	5⅞	138	3⅞	79	4⅞	105	2¾	70	–	–	1½ NPT	3.217	1.46
2 IPFX-T	0069009	2	Yes	1⅞	47	4¾	120	6⅞	155	3½	89	4¾	121	3⅞	79	–	–	2 NPT	4.515	2.05
¾ IPFX-S	0069010	¾	Yes	¾	19	3⅞	80	3⅝	92	3⅞	79	4⅞	105	2¾	70	¾	19	SOLDER	1.567	0.71
1 IPFX-S	0069011	1	Yes	15/16	25	3½	89	4⅞	105	3⅞	79	4⅞	105	2¾	70	15/16	23	SOLDER	1.911	0.87
1¼ IPFX-S	0069012	1¼	Yes	1⅜	30	3⅞	98	5⅞	138	3⅞	79	4⅞	105	2¾	70	1	25	SOLDER	2.388	1.08
1½ IPFX-S	0069013	1½	Yes	1⅞	37	4⅞	118	5⅞	138	3⅞	79	4⅞	105	2¾	70	1⅞	28	SOLDER	2.967	1.35
2 IPFX-S	0069014	2	Yes	1⅞	47	5⅞	138	6⅞	155	3½	89	4¾	121	3⅞	79	1⅞	34	SOLDER	4.564	2.07



USA: T: (978) 689-6066 • F: (978) 975-8350 • Watts.com
 Canada: T: (888) 208-8927 • F: (888) 479-2887 • Watts.ca
 Latin America: T: (52) 55-4122-0138 • Watts.com