



**T&S BRASS AND BRONZE WORKS, INC.**  
 2 Saddleback Cove / P.O. Box 1088  
 Travelers Rest, SC 29690

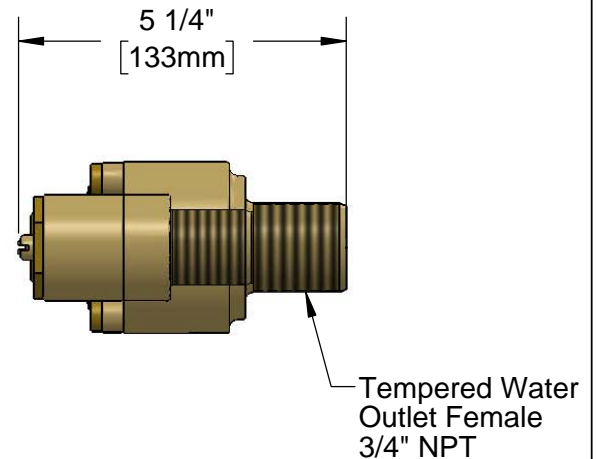
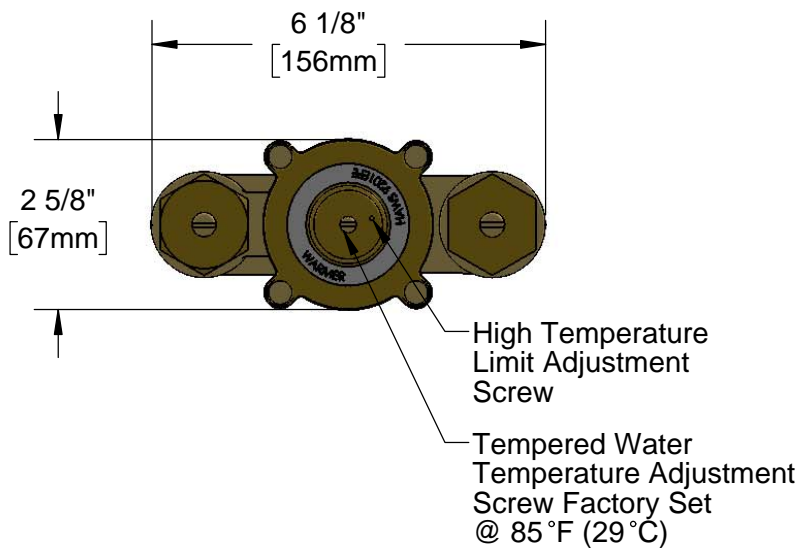
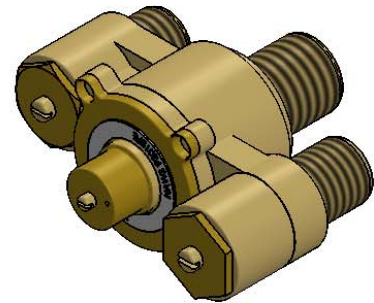
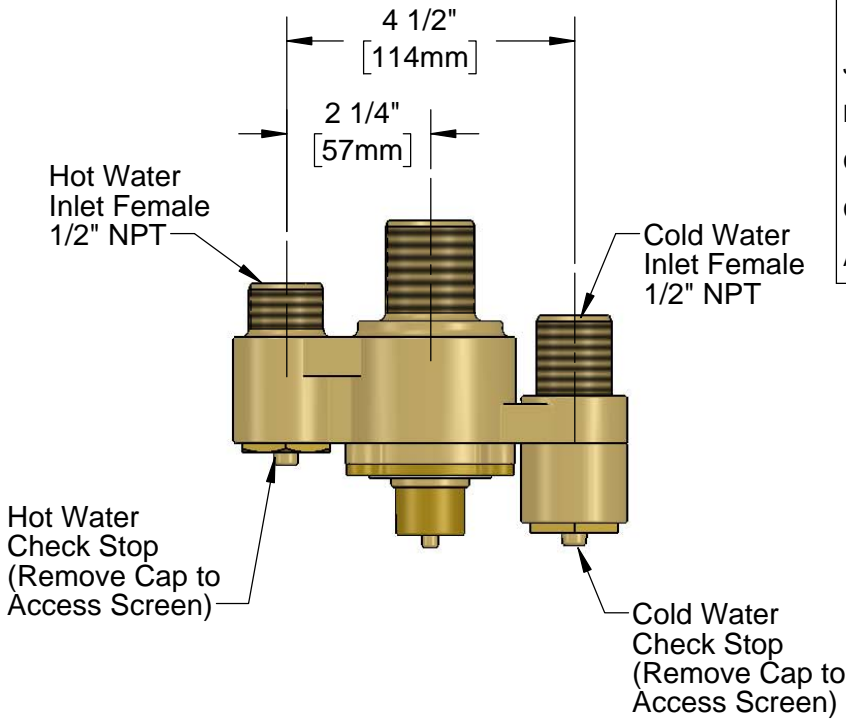
Model No.  
**EW-9201EF**

Item No.

Travelers Rest, SC: 800-476-4103 • Simi Valley, CA: 800-423-0150 • Fax: 864-834-3518 • www.tsbrass.com

This Space for Architect/Engineer Approval

Job Name \_\_\_\_\_ Date \_\_\_\_\_  
 Model Specified \_\_\_\_\_ Quantity \_\_\_\_\_  
 Customer/Wholesaler \_\_\_\_\_  
 Contractor \_\_\_\_\_  
 Architect/Engineer \_\_\_\_\_



Note:  
 1. Thermostatic Mixing Valve to Supply Tempered Water From 1 to 12 GPM.

Product Specifications:  
 Brass Thermostatic Mixing Valve With Fail-Safe Back Up, Check Valves, 1/2" NPT Female Inlets and 3/4" Female Outlet

Product Compliance:  
 ANSI Z358.1 (Latest Revision)  
 NSF 61 Exempt (Non-Potable)