



T&S BRASS AND BRONZE WORKS, INC.
 2 Saddleback Cove / P.O. Box 1088
 Travelers Rest, SC 29690

Model No.
EC-3100TMVHGF10

Item No.

Travelers Rest, SC: 800-476-4103 • Simi Valley, CA: 800-423-0150 • Fax: 864-834-3518 • www.tsbrass.com



ADA Compliant



This Space for Architect/Engineer Approval

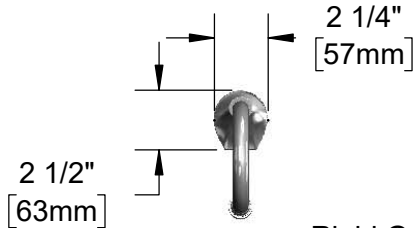
Job Name _____ Date _____

Model Specified _____ Quantity _____

Customer/Wholesaler _____

Contractor _____

Architect/Engineer _____

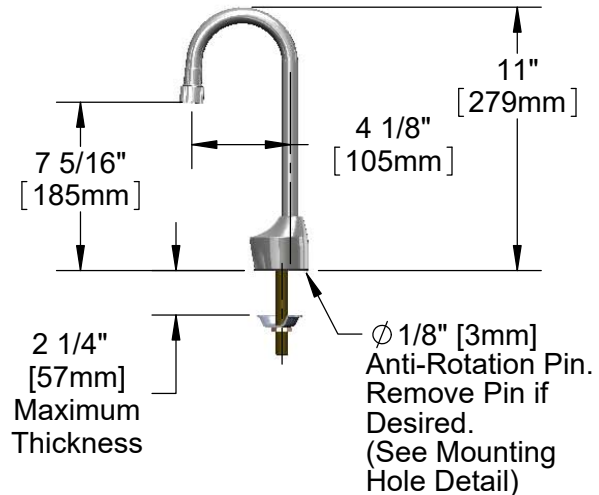


Rigid Gooseneck w/
 B-0199-06-F10
 VR 1.0 GPM Female Aerator

24" [610mm]
 Sensor Cable

1/2" NPSM x 1/4" NPSM
 18" [457mm] Flexible
 Stainless Steel Hose

3 5/8" x 4 3/16" x 2" Deep
 [92mm x 106mm x 51mm]
 Water Resistant Control Module Box (Grey)
 w/ Internal Flow Control Setting Switches
 AC or DC Operated w/ (4) AA Batteries
 Hardwire Capable Using Terminals on Back



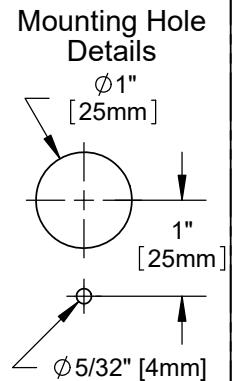
Removable
 Strainer

EC-HYDROGEN
 Hydro-Generator
 Power Supply.
 No AA Batteries or
 AC Adapter Needed
 to Supply Power to
 Faucet

Optional 100-240 VAC Adapter w/
 71" [1800mm] Power Cord. (Included)
 (Remove Rubber Plugs on Module
 and Cable to Connect)

EC-TMV
 Thermostatic
 Temperature
 Mixing Valve w/
 Check Valves

(2) 3/8" Compression x 1/2" NPSM
 18" [457mm] Flexible Stainless Steel
 Supply Hose



Product Specifications:

Chrome Plated Brass Electronic Faucet: Deck Mount Rigid Gooseneck w/ 1.0 GPM VR Aerator, AC/DC Control Module w/ Internal Flow Control Setting Switches, Thermostatic Temperature Control Mixing Valve w/ Integral Check Valves, Hydro-Generator and 18" Flexible Stainless Steel Supply Hoses

Product Compliance:

ASME A112.18.1 / CSA B125.1
 NSF 61 - Section 9
 NSF 372 (Low Lead Content)
 ANSI A117.1 (ADA)
 UL 1951
 ASSE 1070 (TMV)



T&S BRASS AND BRONZE WORKS, INC.

2 Saddleback Cove / P.O. Box 1088
Travelers Rest, SC 29690

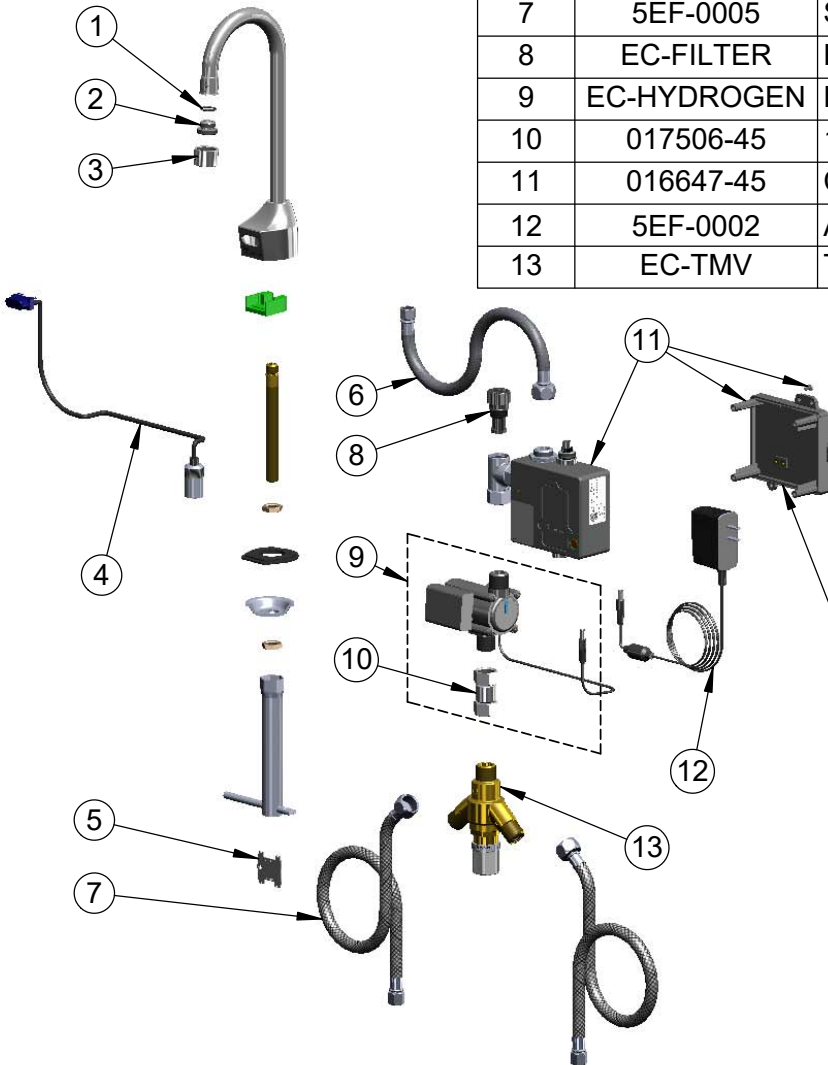
Model No.

EC-3100TMVHGF10

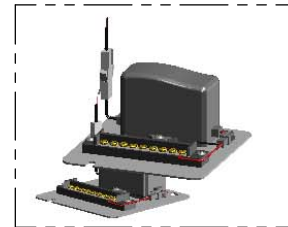
Item No.

Travelers Rest, SC: 800-476-4103 • Simi Valley, CA: 800-423-0150 • Fax: 864-834-3518 • www.tsbrass.com

ITEM NO.	SALES NO.	DESCRIPTION
1	006575-45	O-Ring
2	044A	3/8" to Aerator Adapter
3	B-0199-06-F10	VR 1.0 GPM Aerator, 55/64-27 UN Female w/ Key
4	017195-45	Angled Sensor w/ Cable
5	015425-45	Vandal Resistant Key
6	016297-45	Inlet Hose, Faucet, 1/2" NPSM-F x 1/4" NPSM-F
7	5EF-0005	Supply Hose, 9/16-24 Female x 1/2" NPSM
8	EC-FILTER	Replacement Filter
9	EC-HYDROGEN	HydroGenerator Power Supply
10	017506-45	1/2" NPSM Swivel Coupling
11	016647-45	ChekPoint Electronic Module (Grey)
12	5EF-0002	A/C Transformer
13	EC-TMV	Thermostatic Mixing Valve



A Maximum of (8) ChekPoint Faucets can be Hardwire Connected and Powered by EC-HARDWIRE ChekPoint Hardwire AC Transformer. (Sold Separately)



Label for Flow Control Switch Settings is Located on Inside of Back Cover.

Flow Control Switches are Located Inside Module Housing in Black Box Next to Battery Compartment.
*Switches are Set to DEFAULT Position:
- Auto Time Out = 15 Seconds
- Shut Off Delay = 1 Second
- Auto Flush = OFF

Remove (4) Screws and Back Cover to Access Switches.

***Available Water Flow Control Selections:**

- Auto Time Out: 15 sec, 30 sec, 45 sec, 60 sec, 3 min, 20 min
- Shut Off Delay: 1 sec, 10 sec, 15 sec, 30 sec
- Auto Flush (30 Seconds After Every 12 Inactive Hours): ON or OFF

Product Specifications:
Chrome Plated Brass Electronic Faucet: Deck Mount Rigid Gooseneck w/ 1.0 GPM VR Aerator, AC/DC Control Module w/ Internal Flow Control Setting Switches, Thermostatic Temperature Control Mixing Valve w/ Integral Check Valves, Hydro-Generator and 18" Flexible Stainless Steel Supply Hoses

Product Compliance:
ASME A112.18.1 / CSA B125.1
NSF 61 - Section 9
NSF 372 (Low Lead Content)
ANSI A117.1 (ADA)
UL 1951
ASSE 1070 (TMV)