



T&S BRASS AND BRONZE WORKS, INC.

2 Saddleback Cove / P.O. Box 1088
Travelers Rest, SC 29690

Model No.

B-2742-LF05

Item No.

Travelers Rest, SC: 800-476-4103 • Simi Valley, CA: 800-423-0150 • Fax: 864-834-3518 • www.tsbrass.com

This Space for Architect/Engineer Approval

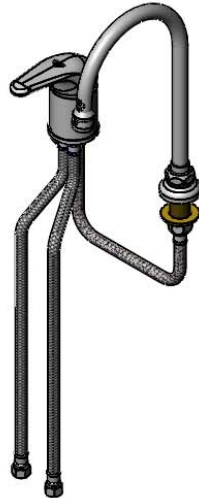
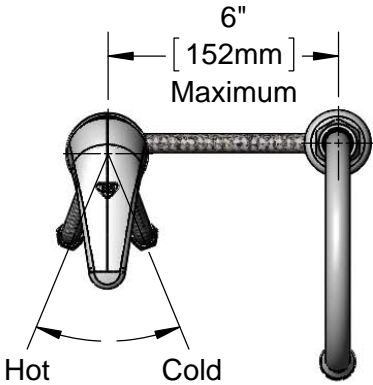
Job Name _____ Date _____

Model Specified _____ Quantity _____

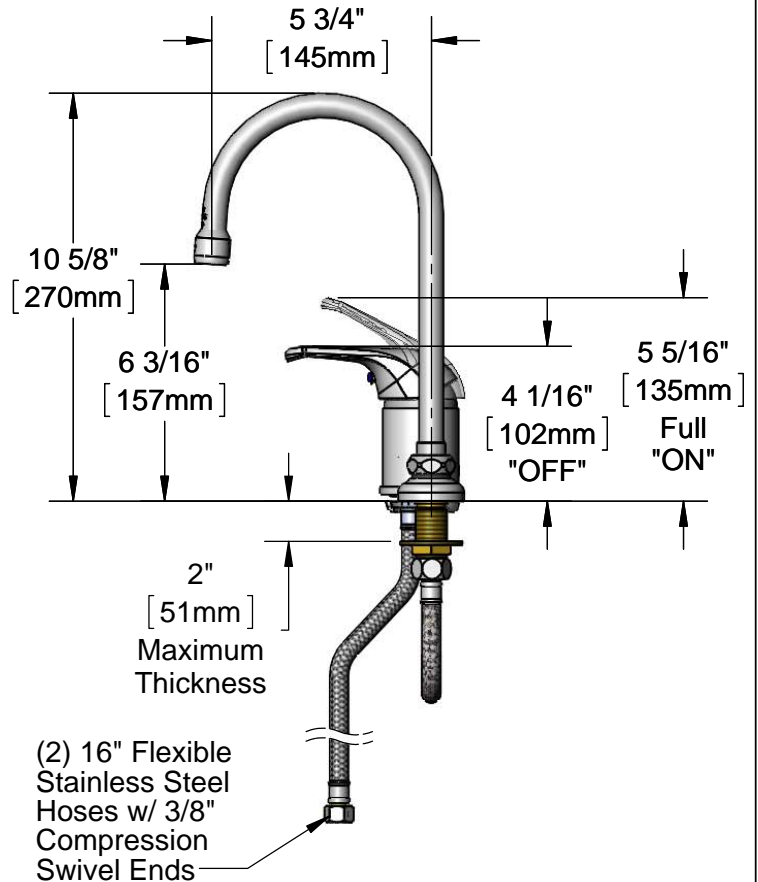
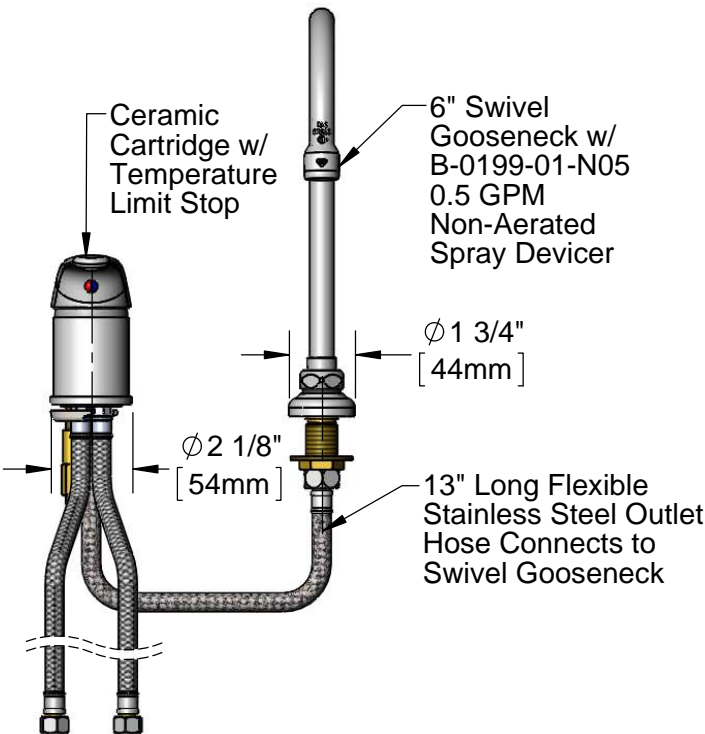
Customer/Wholesaler _____

Contractor _____

Architect/Engineer _____



ADA Compliant



Rough-in Requirements:

- Ø 1 1/2" [38mm] Hole for Sidemount
- Ø 1" [25mm] Hole for Gooseneck Shank

Notes:

- Flex Hose May Kink if 6" Max is Exceeded.

Product Specifications:

Single Lever Side Mount Remote On/Off Control Base Faucet, Ceramic Cartridge, Swivel Gooseneck, 2.2 GPM Aerator and (2) 16" Flexible Stainless Steel Supply Hoses

Product Compliance:

ASME A112.18.1 / CSA B125.1
NSF 61 - Section 9
NSF 372 (Low Lead Content)
ANSI A117.1 (ADA)



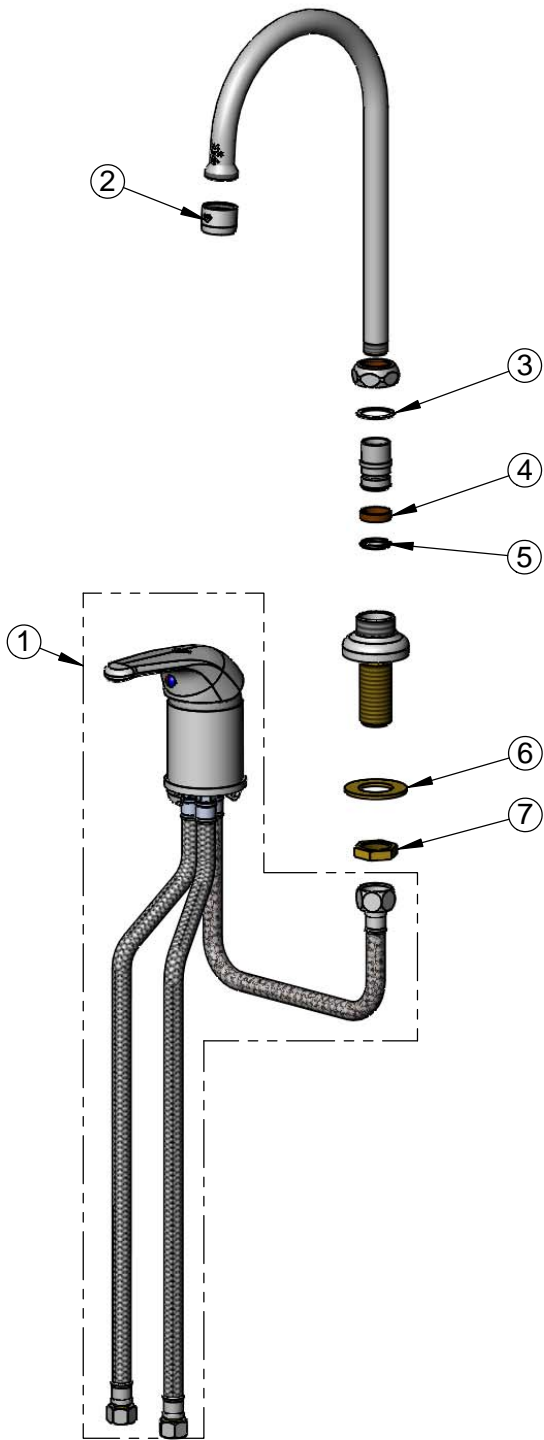
T&S BRASS AND BRONZE WORKS, INC.
 2 Saddleback Cove / P.O. Box 1088
 Travelers Rest, SC 29690

Model No.
B-2742-LF05

Item No.

Travelers Rest, SC: 800-476-4103 • Simi Valley, CA: 800-423-0150 • Fax: 864-834-3518 • www.tsbrass.com

ITEM NO.	SALES NO.	DESCRIPTION
1	B-2740	Faucet Base
2	B-0199-01-N05	0.5 GPM Non-Aerated, 55/64"-27 UN Female
3	009538-45	Swivel Washer
4	011429-45	Swivel Sleeves (2)
5	001074-45	O-Ring
6	000999-45	Brass Lock Washer
7	002954-45	Shank Lock Nut



Product Specifications:

Single Lever Side Mount Remote On/Off Control Base Faucet, Ceramic Cartridge, Swivel Gooseneck, 2.2 GPM Aerator and (2) 16" Flexible Stainless Steel Supply Hoses

Product Compliance:

ASME A112.18.1 / CSA B125.1
 NSF 61 - Section 9
 NSF 372 (Low Lead Content)
 ANSI A117.1 (ADA)