



# T&S BRASS AND BRONZE WORKS, INC.

2 Saddleback Cove / P.O. Box 1088  
Travelers Rest, SC 29690

Model No.

**B-1235**

Item No.

Travelers Rest, SC: 800-476-4103 • Simi Valley, CA: 800-423-0150 • Fax: 864-834-3518 • www.tsbrass.com



**ADA Compliant**

This Space for Architect/Engineer Approval

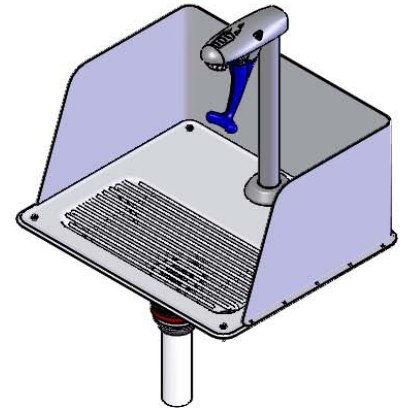
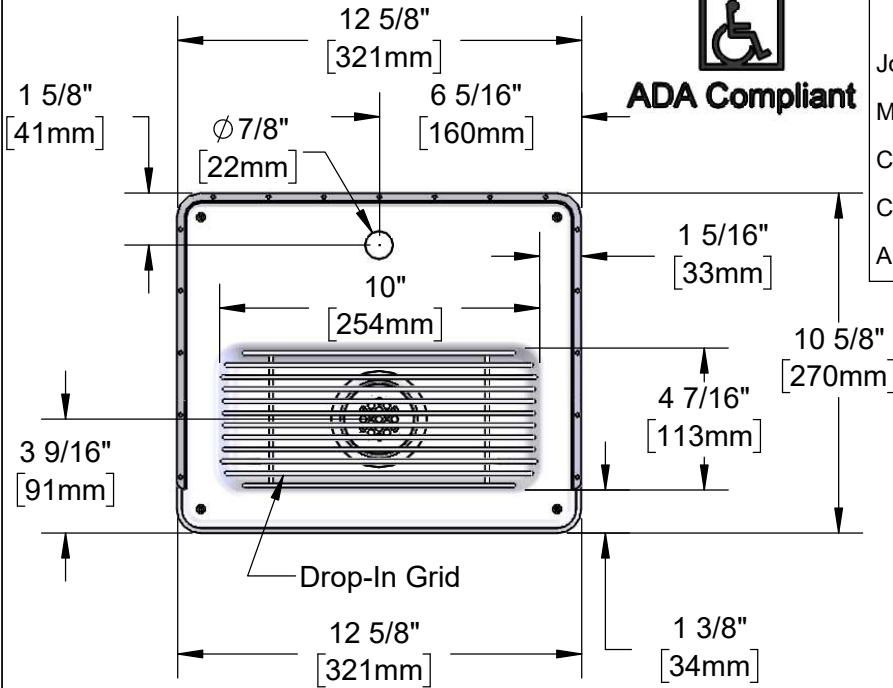
Job Name \_\_\_\_\_ Date \_\_\_\_\_

Model Specified \_\_\_\_\_ Quantity \_\_\_\_\_

Customer/Wholesaler \_\_\_\_\_

Contractor \_\_\_\_\_

Architect/Engineer \_\_\_\_\_



Splashguard Frame Around Back & Sides of Pan

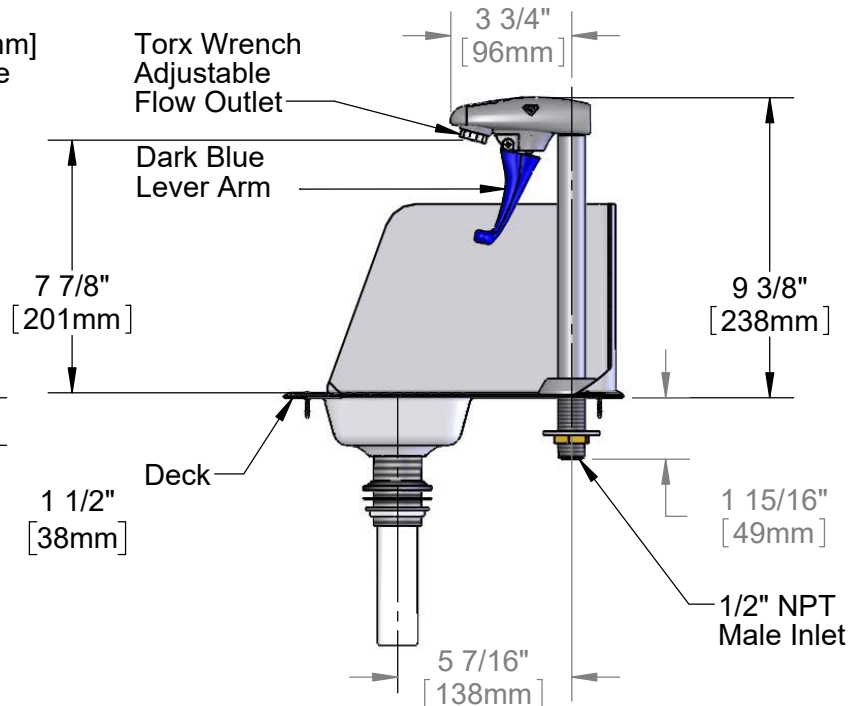
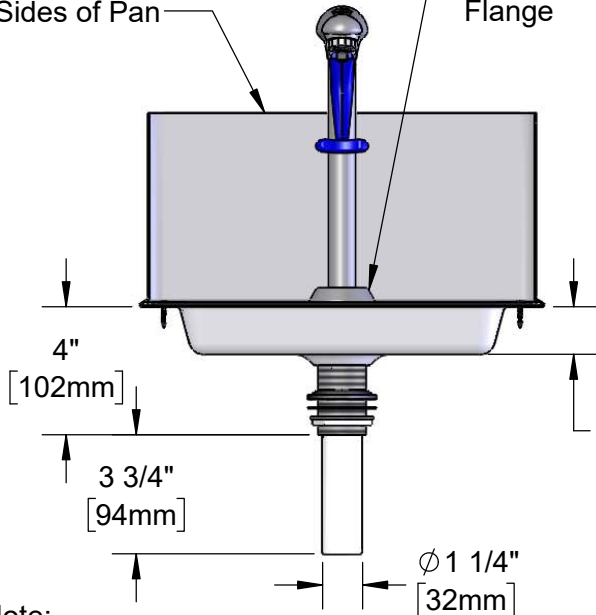
Ø2" [51mm] Adjustable Flange

Torx Wrench Adjustable Flow Outlet

Dark Blue Lever Arm

Deck

1 15/16" [49mm] 1/2" NPT Male Inlet



**Note:**

1. 18 Gauge Stainless Steel Pan w/ Beaded Edge Supplied w/ Mastic & Stainless Steel Screws for Mounting.
2. Suggested Cut Out Size for Pan is 10 1/2" x 5". Customer to Verify Actual Cut Out Needed Prior to Installation.

**Product Specifications:**

Water Station w/ Pedestal Type Glass Filler, 18 Gauge Stainless Steel Drip Pan with Splashguard & 1 1/4" Drain

**Product Compliance:**

ASME A112.18.1 / CSA B125.1  
NSF 61 - Section 9  
NSF 372 (Low Lead Content)  
ANSI A117.1 (ADA)

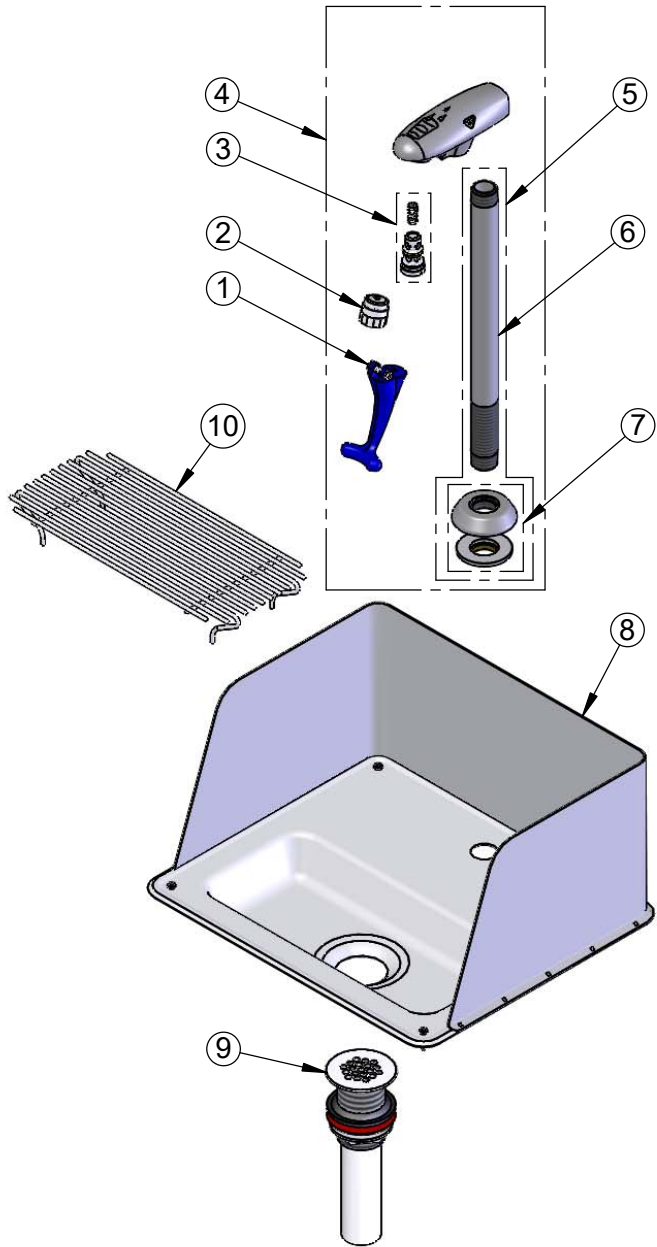


**T&S BRASS AND BRONZE WORKS, INC.**  
 2 Saddleback Cove / P.O. Box 1088  
 Travelers Rest, SC 29690

Model No.  
**B-1235**  
 Item No.

Travelers Rest, SC: 800-476-4103 • Simi Valley, CA: 800-423-0150 • Fax: 864-834-3518 • www.tsbrass.com

ITEM NO.	SALES NO.	DESCRIPTION
1	015550-45	Lever Arm Repair Kit
2	015588-40	Adjustable Outlet w/ Torx Wrench
3	015589-40	Valve
4	B-1210	8" Pedestal Glass Filler
5	015887-40	Pedestal
6	015886-40	B-1210 Pedestal
7	016783-40	Adjustable Deck Flange Repair Kit
8	010124-45	Drip Pan
9	010126-45	Drip Pan Drain
10	183F	Drip Pan Grid



016640-45  
 T-45 Torx  
 Wrench

Product Specifications:  
 Water Station w/ Pedestal Type Glass Filler, 18 Gauge Stainless Steel  
 Drip Pan with Splashguard & 1 1/4" Drain

Drawn: MRC    Checked: JRM    Approved: JHB    Date: 07/19/19

Product Compliance:  
 ASME A112.18.1 / CSA B125.1  
 NSF 61 - Section 9  
 NSF 372 (Low Lead Content)  
 ANSI A117.1 (ADA)

Scale: NTS    Sheet: 2 of 2