



Location:

4700-TRM, 4700TRMTC
Shower Valve Trim
Specification Submittal



Feature Highlights

- Allura Shower Valve Trim
- Requires Temptrol® Pressure Balancing Shower Valve
- Metal lever handle
- Diverter tub spout not included
- Showerhead not included
- Components shall be metal and nonmetallic construction, plated in standard Polished Chrome finish
- Available with TA-10 flow control spindle and T-12A cap assembly for Temptrol valve bodies installed with Test Cap (order p/n 4700TRMTC)

Model Numbers

- 4700-TRM**
Shower Valve Trim, Temptrol Pressure Balancing Shower Valve ordered separately
- 4700TRMTC**
Shower Valve Trim with TA-10 flow control spindle and T-12A cap assembly, must order Temptrol valve with Test Cap

Compliance



- ASME A112.18.1/CSA B125.1



Warranty

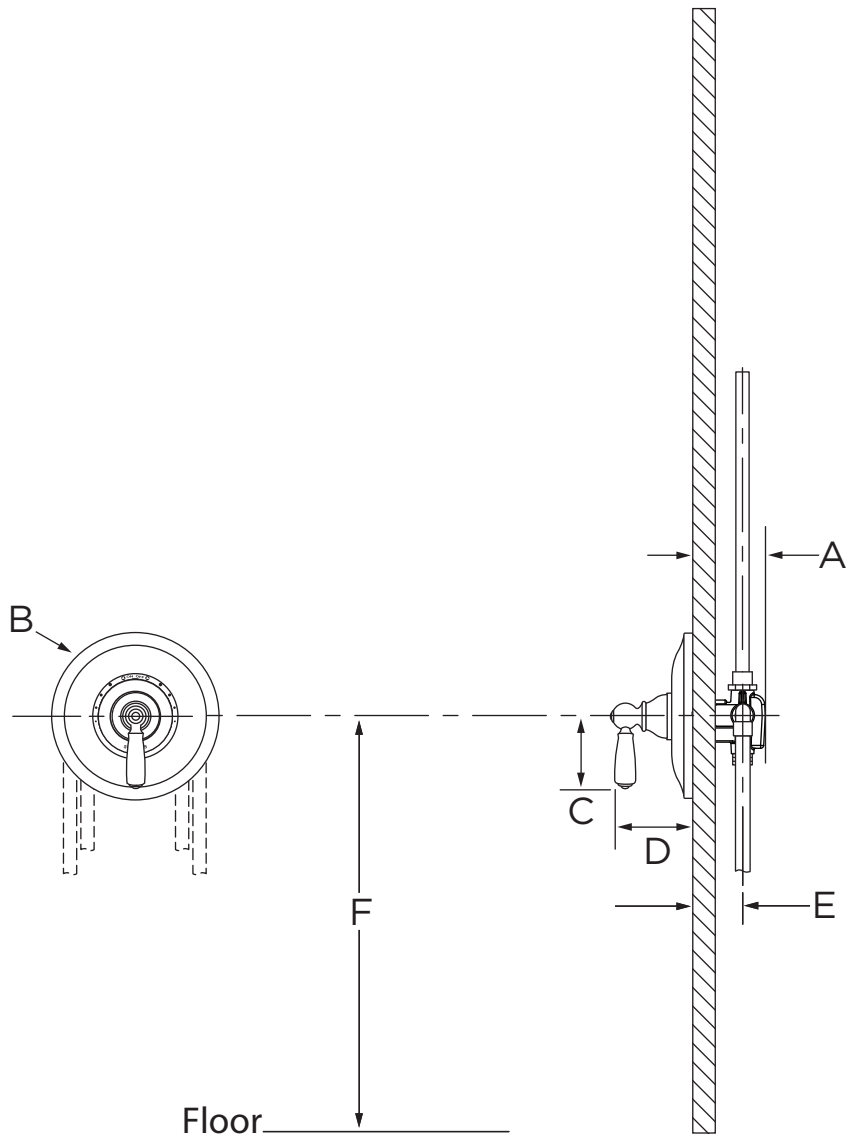
Limited Lifetime - to the original end purchaser in consumer/residential installations.
5 Years - for industrial/commercial installations.
Refer to www.symmons.com/warranty for complete warranty information.
Go to www.symmons.com/register to register your Symmons product.

Options/Modifications

- LAM**  *Metal finish insert handle*
- LR**  *Lever handle*
- REB** *Rebuild trim kit, includes TA-10 and TA-4*
- VP** *Vandal resistant escutcheon screws in place of standard screws*
- STN** *Satin Nickel finish*

Note: Append appropriate -suffix to model number.

Dimensions



Measurements	
A	3-1/2", 89 mm
B	Ø 7", 178 mm
C	3-1/8", 79 mm
D	4", 102 mm
E	Rough-in 2-3/8" ± 1/2", 60 mm ± 13 mm
F	Ref. 42", mm

Notes:

- 1) Valve body and piping not included and shown as reference only.
- 2) Plaster shield (p/n T-176) for dry wall, plaster or other type walls 1/2" or greater.
- 3) All dimensions measured from nominal rough-in (see E as reference).
- 4) Dimensions subject to change without notice.