

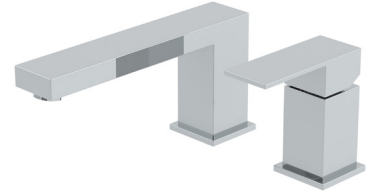


Location:

# SYMMONS® DS Creations

the smart choice™

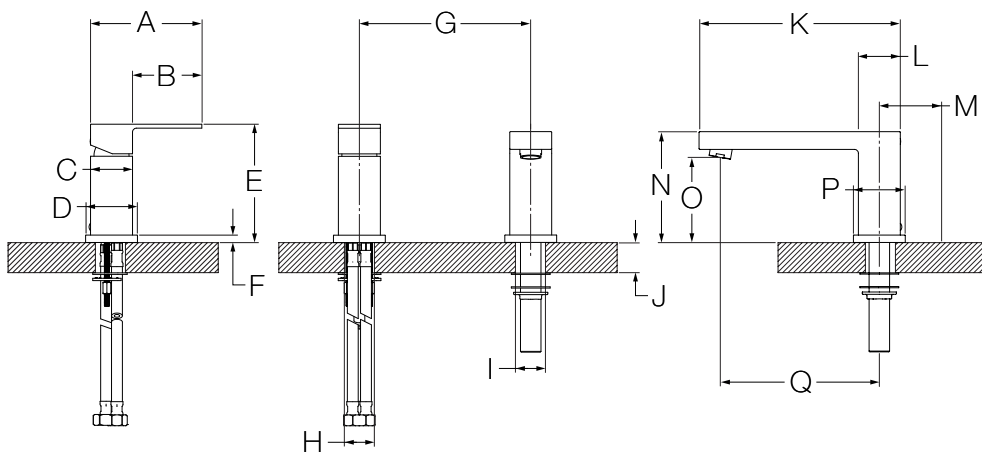
SRT-0231 (CDSRT0231-70)  
Single Handle Roman Tub Faucet  
**Specification Submittal**



Model Numbers	Specification
<input type="checkbox"/> <b>SRT-0231</b> <i>Single Handle Roman Tub Faucet</i>	Single Handle Roman Tub Faucet shall include quarter turn ceramic cartridge and 1/2" IPS inlet connections. Roman Tub Faucet shall be made from metal construction, plated in standard polished chrome finish.
<b>Warranty</b>  <b>Limited Lifetime</b> - to the original end purchaser in consumer/residential installations. <b>5 Years</b> - for industrial/commercial installations. Refer to <a href="http://www.symmons.com/warranty">www.symmons.com/warranty</a> for complete warranty information.	



## Dimensions



Measurements	
A	5-11/16", 144 mm
B	3-9/16", 90 mm
C	2-1/8", 54 mm
D	2-5/8", 67 mm
E	6", 152 mm
F	3/8", 10 mm
G	Max. 10", 254 mm
H	Hole Size Ø 1-1/2", 38 mm
I	Hole Size Ø 1-3/8", 35 mm
J	Deck Thickness Ref. Min. 1", 25 mm Max. 1-1/2", 38 mm
K	10-3/16", 259 mm
L	2-1/8", 54 mm
M	Min. 2", 51 mm
N	5-5/8", 143 mm
O	4-5/16", 110 mm
P	2-5/8", 67 mm
Q	8-1/8", 206 mm

**Note:** Dimensions subject to change without notice.