

Location:

# SYMMONS® Winslet®

## Shower System S-5101

### Specification Submittal



#### Feature Highlights

- Symmons shower system with lever handles.
- Symmons Temptrol® pressure balancing mixing valve with adjustable stop screw to limit handle turn.
- Secondary integral volume control handle
- Shower head with mounting bracket
- Standard flow rate is 2.5 gpm (9.5 L/min)  
*Optional lower flow rate restrictor available*
- Polished chrome finish

#### Model Numbers

- S-5101  
Shower System with Symmons Temptrol® mixing valve p/n S-46-1-BODY
- S-5101-TRM  
Trim only, valve must be ordered separately
- S-46-1-BODY  
Symmons Temptrol® mixing valve without trim
- S-46-1X-BODY  
Symmons Temptrol® mixing valve without trim. Valve includes integral service stops to allow water shut-off for service

#### Finish Options / Modifications

*Append appropriate -suffix to model number.*

- STN Satin Nickel
- Polished chrome (standard finish)

#### Standards / Certifications

ASME A112.18.1/CSA B125.1





#### Warranty

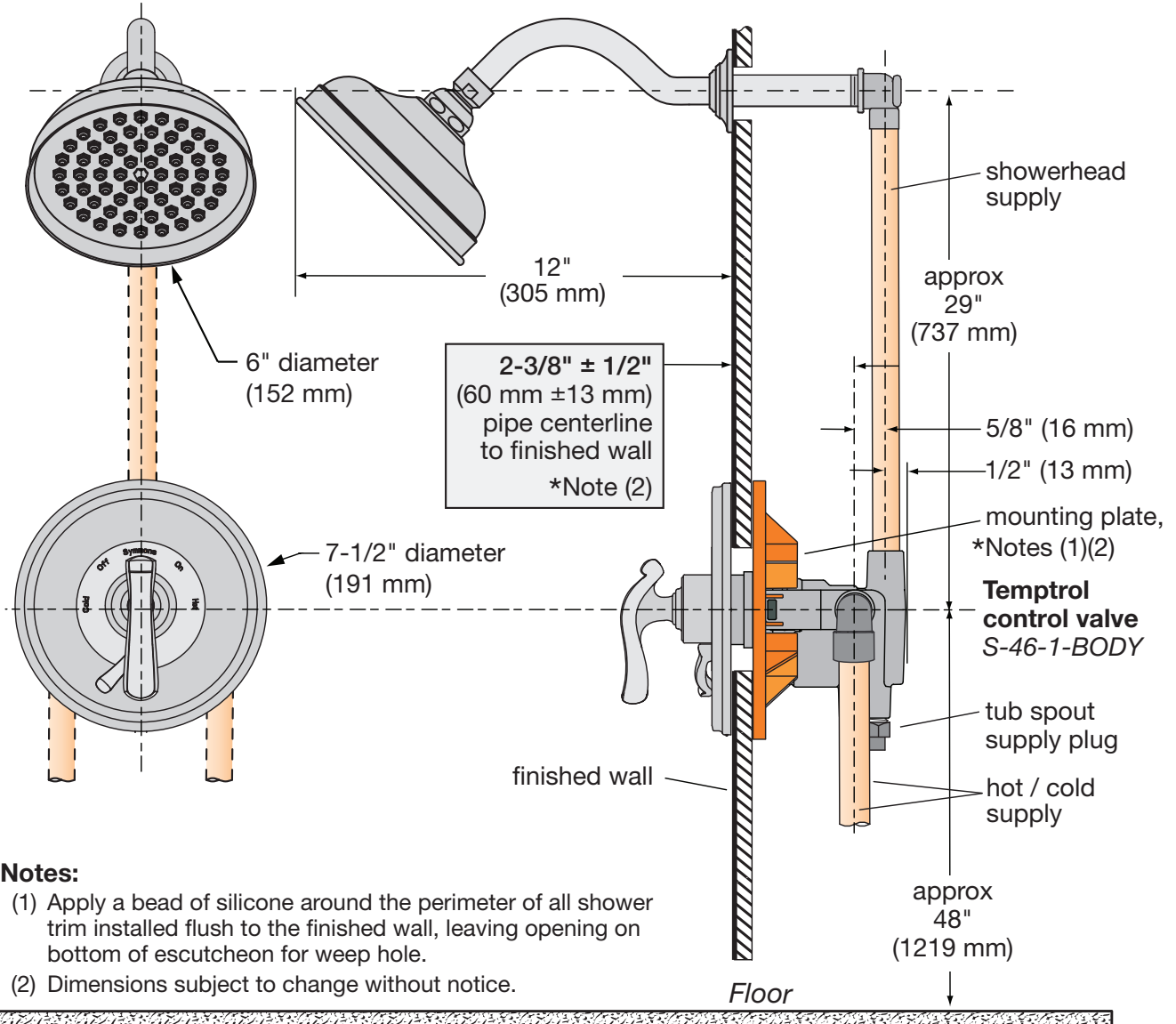
- Limited Lifetime - to the original end purchaser in consumer installations.
- 5 years - for commercial installations

#### Options / Modifications

*Append appropriate -suffix to model number.*

-  -1.5 1.5 gpm (5.7 L/min) flow restrictor
- 2.0 2.0 gpm (7.6 L/min) flow restrictor
- IPS 1/2" female IPS connections
-  -LP Loop handle
- L/HD Less showerhead
- REB Rebuild trim kit, includes TA-10 and TA-4
- REV Reverse coring, hot on right, cold on left, for back to back installations
- VP Vandal resistant escutcheon screws in place of standard screws
- X Integral service stops - allows water shutoff at valve for service
- X-CHKS Integral check stops - for use in installations where a positive shut-off device is used downstream of mixing valve

# Dimensions Winslet Shower System, S-5101



**\*Notes:**

- (1) Apply a bead of silicone around the perimeter of all shower trim installed flush to the finished wall, leaving opening on bottom of escutcheon for weep hole.
- (2) Dimensions subject to change without notice.