






SYMMONS® DS Creations

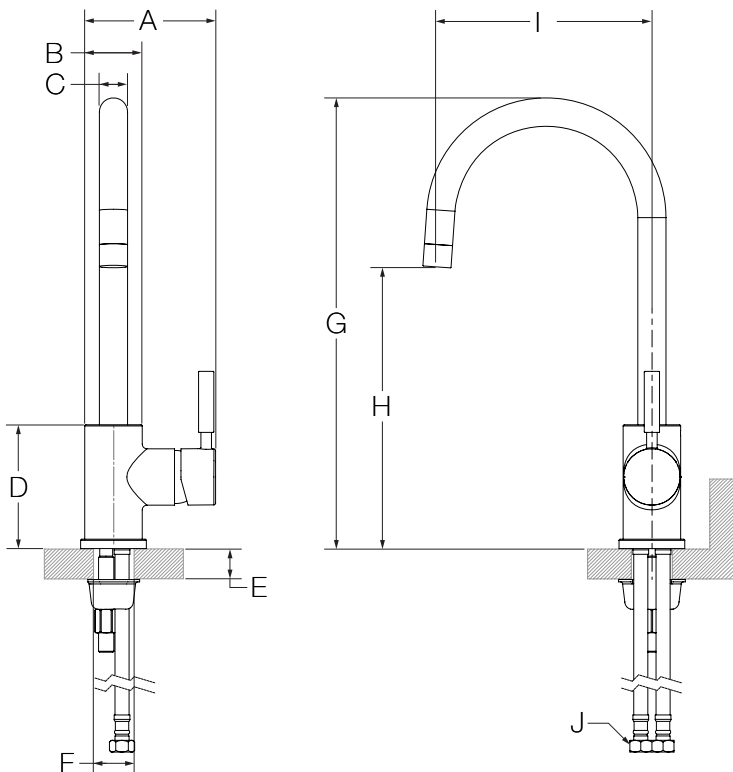
the smart choice™



SK-3500 (CDSK0196) Single Handle Kitchen Faucet Installation Guide

Model Numbers	Specification
<input type="checkbox"/> SK-3500 <i>Single Handle Kitchen Faucet</i>	Single Handle Kitchen Faucet shall include single hole mount configuration, ceramic cartridge, 3/8" compression connections and standard 2.2 gpm (8.3 L/min) aerator. Faucet shall be made from metal construction, plated in standard polished chrome finish.
Modifications	
<input type="checkbox"/> -1.5  <i>1.5 gpm (5.7 L/min) flow restrictor</i> Note: Append appropriate -suffix to model number.	
Warranty	Compliance
Limited Lifetime - to the original end purchaser in consumer/residential installations. 5 Years - for industrial/commercial installations. Refer to www.symmons.com/warranty for complete warranty information.	-ASME A112.18.1/CSA B125.1 -NSF/ANSI 61.9, NSF/ANSI 372 

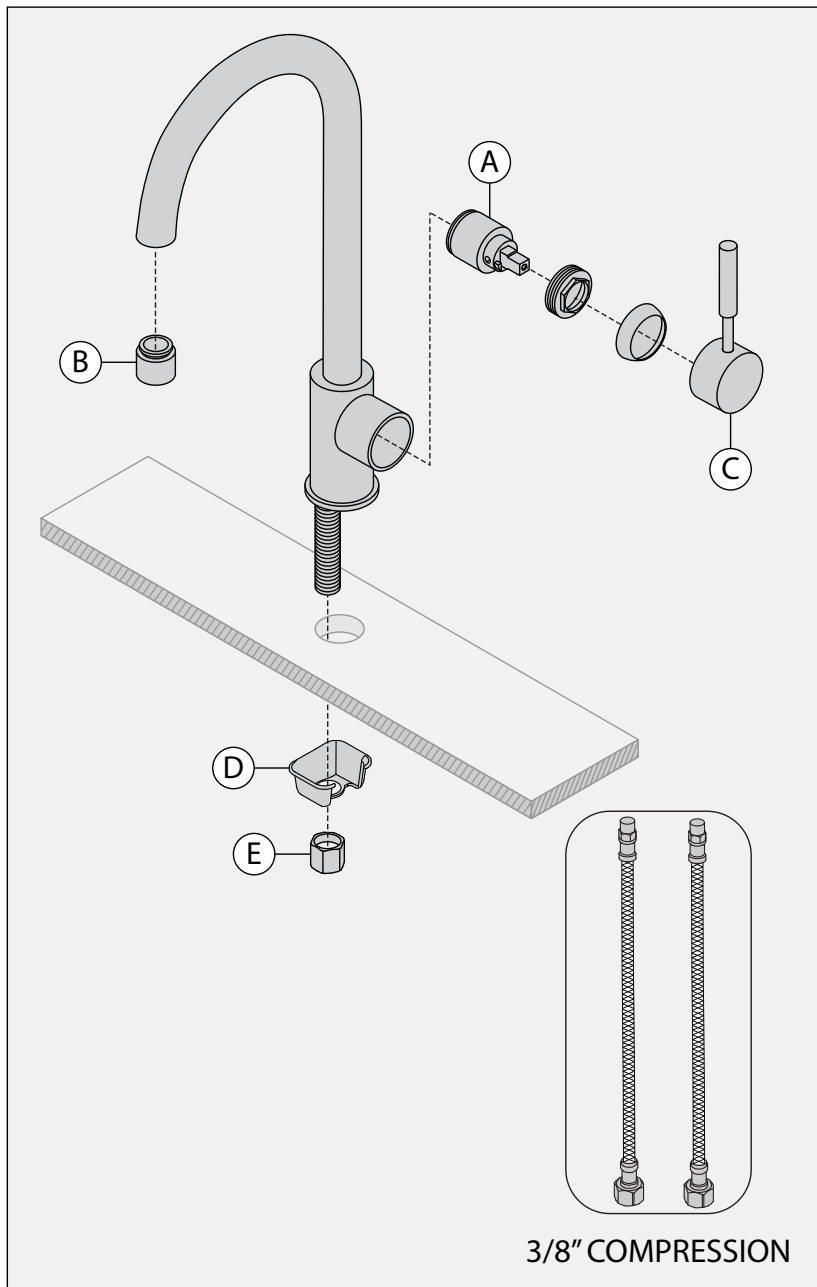
Dimensions




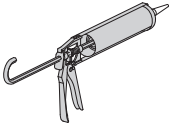


Measurements	
A	4-3/8", 111 mm
B	Ø 1-7/8", 48 mm
C	1", 25 mm
D	4-1/8", 105 mm
E	Deck Thickness Ref. Min. 1", 25 mm Max. 1-1/4", 32 mm
F	Hole Size Ø 1-1/2", 38 mm
G	15-1/8", 384 mm
H	9-3/8", 238 mm
I	7-1/4", 184 mm
J	3/8" compression fitting

Note: Dimensions subject to change without notice.

Parts Breakdown



Replacement Parts		
Item	Description	Part Number
A	Cartridge	KN-4
B	1.5 Aerator 2.2 Aerator	FLR-121-1.5 LN-15
C	Handle & Set Screw	RK-047
D	Mounting Flange	RK-059
E	Mounting Nut	
Tools Required for Installation		
Adjustable Wrench		
Allen Wrench: Handle (2 mm)		
Plumber Tape		
Silicone		

Notes:

- 1) Apply a bead of silicone around the perimeter of trim installed flush to sink.
- 2) Apply plumber tape to all threaded connections.

⚠ WARNING: This product can expose you to chemicals including lead, which is known to the state of California to cause cancer, birth defects, or other reproductive harm. For more information, go to www.P65Warnings.ca.gov.