



# SYMMONS® Winslet®

## Two Handle Widespread Lavatory Faucet


### SLW-5112 Series

## Installation Brief



### Model Number

SLW-5112 Two Handle Widespread lavatory faucet with pop-up drain

 Applies to models manufactured after Q1 2013, p/n LN-02058 identified on faucet rear base

### Decorative Finishes

Append finish suffix code to replacement part numbers when applicable

-STN Satin nickel

### Tools & Materials




### Compliance

- ASME A112.18.1/CSA B125.1
- NSF/ANSI 61.9, NSF/ANSI 372
- WaterSense 1.0 & 1.5 gpm



### Need Help?

Contact Symmons customer service at  
 Phone: (800) 796-6667  
 Email: [gethelp@symmons.com](mailto:gethelp@symmons.com)  
 Monday - Friday 7:30 am - 6:00 pm EST

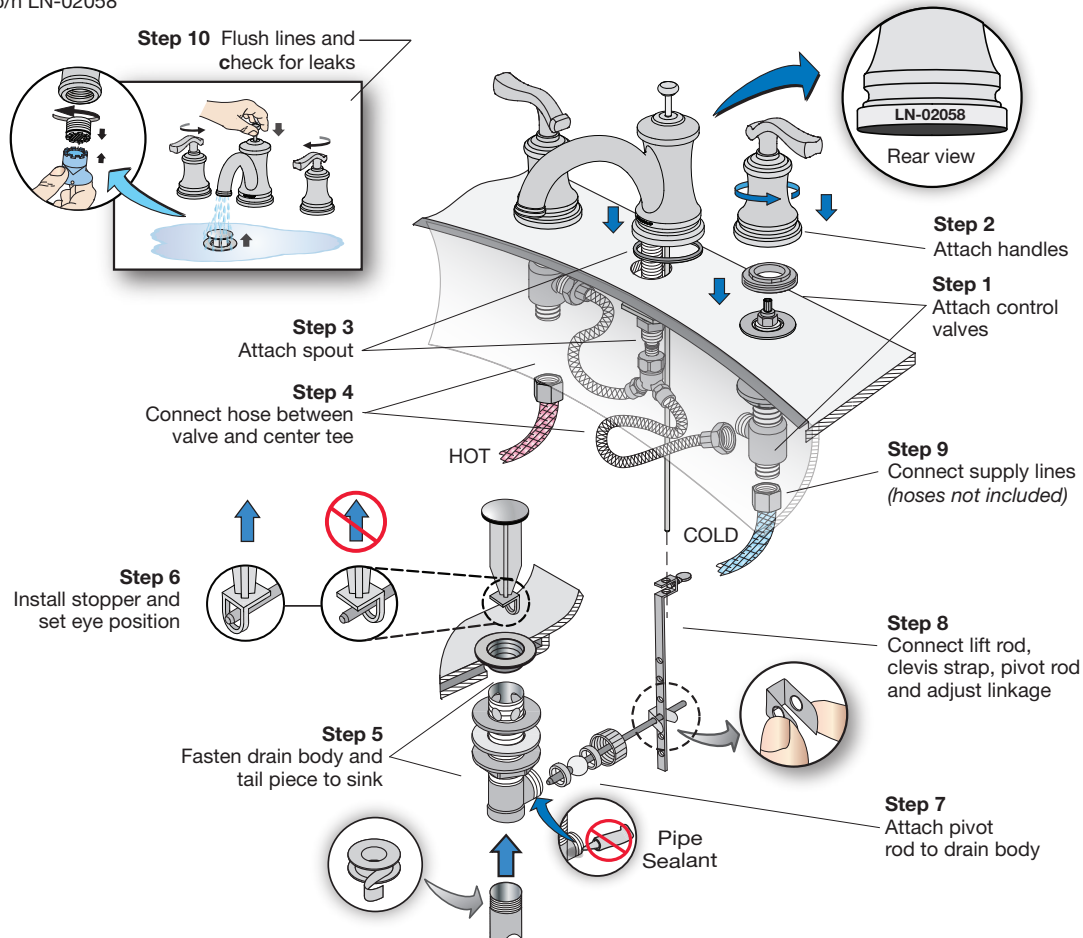
 Please check Symmons website for technical help, the latest product information and warranty policy.  
[www.symmons.com/service](http://www.symmons.com/service)

### Care and Cleaning

Clean finished area using mild soap or a non-abrasive cleaner and then quickly rinse with water. A non-abrasive wax may be used to preserve finish area.

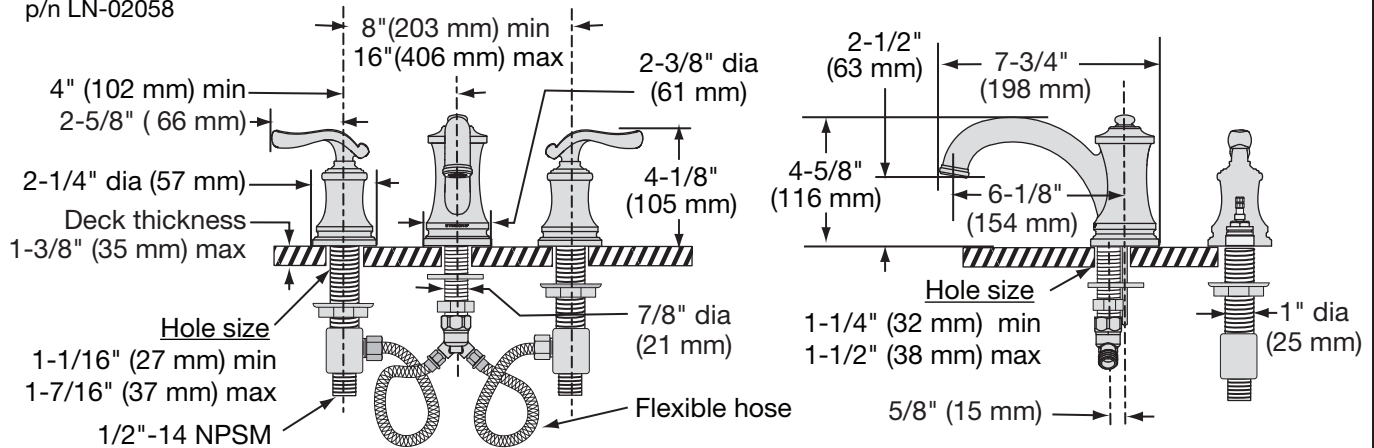
## Quick Install Guide Winslet Two Handle Widespread Lavatory Faucet, SLW-5112 Series

p/n LN-02058



# Dimensions Winslet Two Handle Widespread Lavatory Faucet, SLW-5112 Series

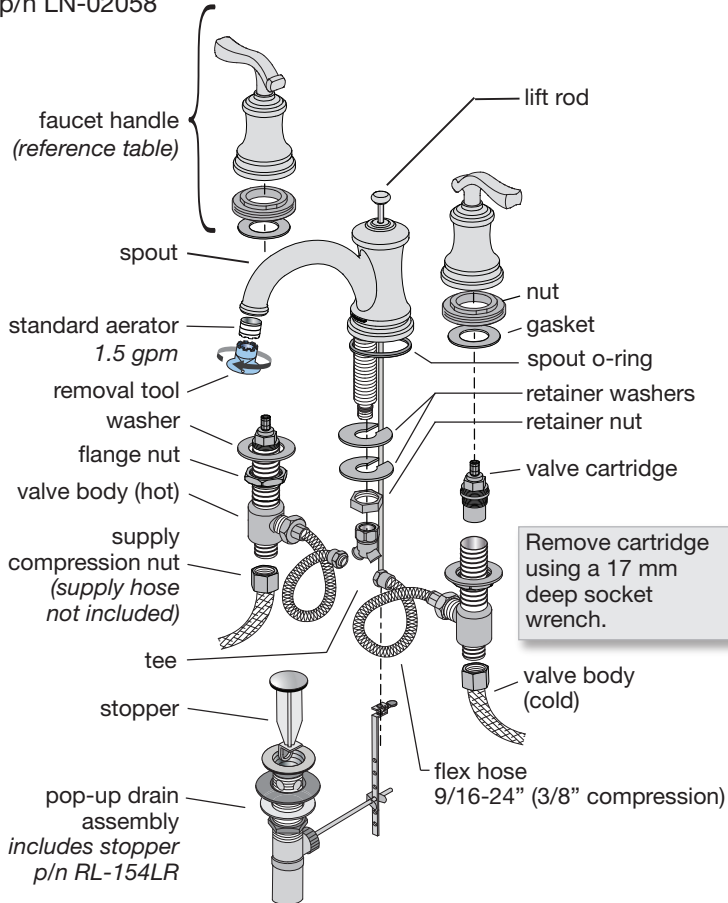
p/n LN-02058



**Note:** Dimensions subject to change without notice.

# Parts Assembly Winslet Two Handle Widespread Lavatory Faucet, SLW-5112 Series

p/n LN-02058



Replacement Parts	
Part Number	Item
RL-138* (includes both hot & cold handles)	handle assembly
KN-114 (hot) OFF = CW KN-113 (cold) OFF = CCW	valve cartridge KN-113 identified by two grooves
LN-333-KIT FLR-102-1.5-KIT LN-742-KIT	Kits include aerator and aerator removal tool aerator flow rates 2.2 gpm (8.3 L/min) 1.5 gpm (5.7 L/min) 1.0 gpm (3.8 L/min)
RL-131	1/2 inch supply compression nuts (2) included
RL-132*	Lift rod

\* Note: When ordering parts for products with an optional decorative finish, append appropriate three letter finish suffix code to part numbers marked with an asterisk (\*).

Replacement part numbers apply only to faucets manufactured after Q1 2013, p/n LN-02058 identified on faucet rear base. Reference page 1, Quick Install Illustration

### Ordering replacement parts:

Call Symmons customer service at (800) 796-6667, (781) 848-2250 M-F 7:30 am - 7:00 pm EST or check our website at [www.symmons.com](http://www.symmons.com) for a list of Symmons distributors.

**WARNING:** This product can expose you to chemicals including lead, which is known to the state of California to cause cancer, birth defects, or other reproductive harm. For more information, go to [www.P65Warnings.ca.gov](http://www.P65Warnings.ca.gov).