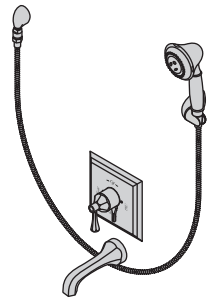




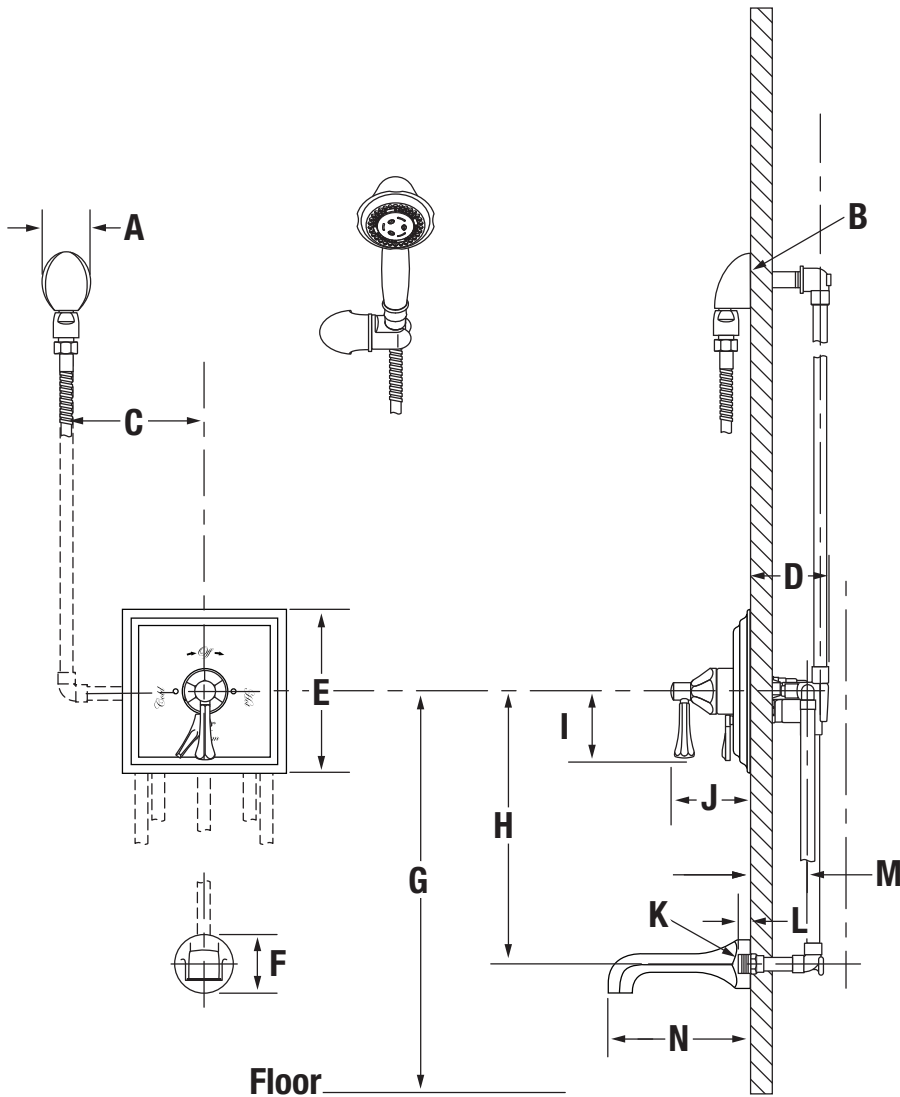
S-4504-TRM
Canterbury™ Tub/Hand Shower Trim
Operation & Maintenance Manual



Model Number	Specifications
<input type="checkbox"/> S-4504-TRM <i>Tub/Hand Shower Trim</i>	<p>Tub/hand shower trim with lever handle and secondary integral diverter handle includes wall connection, cradle for hand shower mounting, non-diverter tub spout (069), in-line vacuum breaker, flexible metal hose and 3 mode hand shower (442W) with 2.5 gpm (9.5 L/min) flow restrictor. Components made from metal and plastic materials plated in standard polished chrome finish.</p>
Modifications	Warranty
<input type="checkbox"/> -1.5  1.5 gpm (5.7 L/min) flow restrictor <input type="checkbox"/> -2.0  2.0 gpm (7.6 L/min) flow restrictor <input type="checkbox"/> -442HSB 30" slide bar in place of wall cradle on hand shower units <input type="checkbox"/> -STN Satin nickel finish	<p>Limited Lifetime - to the original end purchaser in consumer installations. 5 Years - for commercial installations.</p> <p>Refer to www.symmons.com/warranty for complete warranty information.</p>

Note: Append appropriate -suffix to model number.

Dimensions

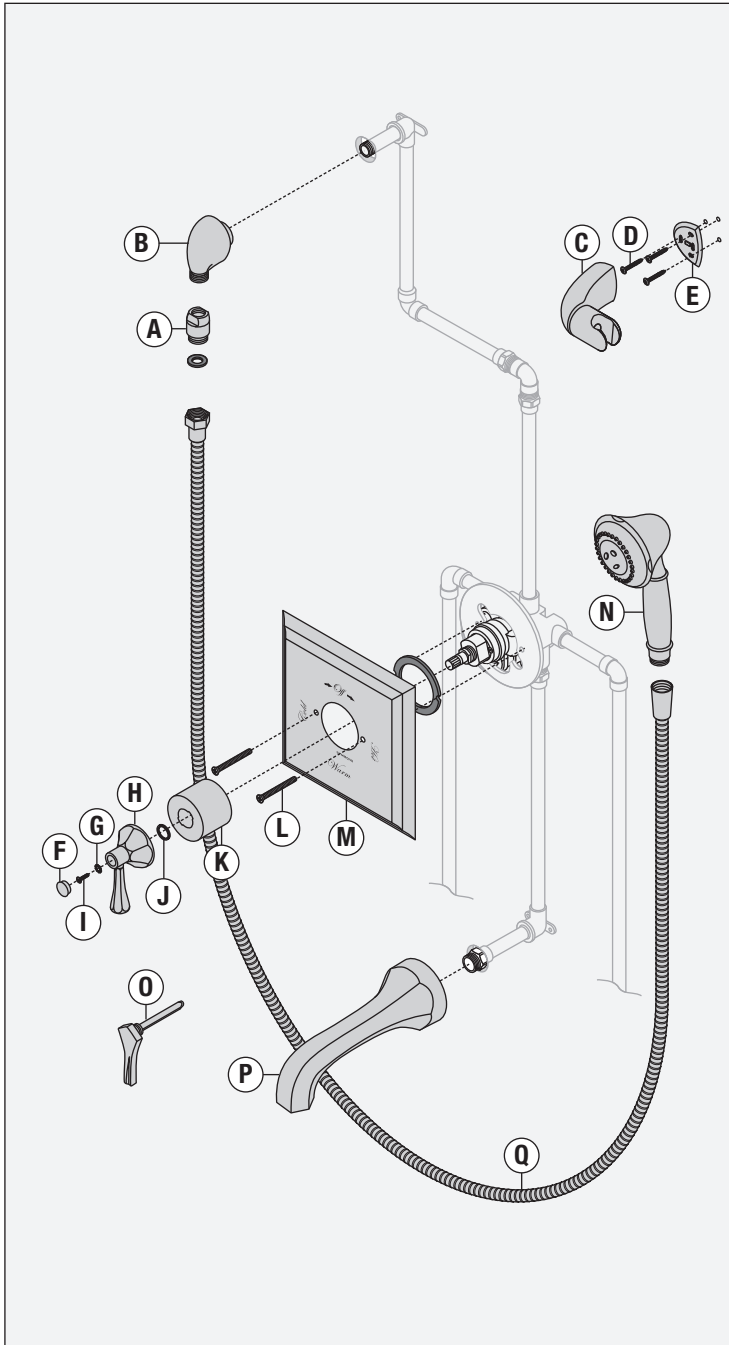


Measurements	
A	2 1/8", 54 mm
B	Male 1/2" NPT thread must be recessed 1/4" from finished wall
C	6", 152 mm right or left
D	3 1/2", 89 mm
E	7 1/2", 191 mm
F	Ø 2 5/8", 67 mm
G	32", 813 mm
H	12", 305 mm
I	3", 76 mm
J	3", 76 mm
K	1/2", 13 mm
L	1/2" NPT
M	(Rough-in) 2 3/8" ± 1/2", 60 mm ± 13 mm
N	7 1/4", 184 mm

Notes:

- 1) All dimensions measured from nominal rough-in (see M as reference).
- 2) Dimensions are subject to change without notice.

Parts Breakdown




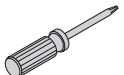


Replacement Parts

Item	Description	Part Number
A Q	Vacuum Breaker and Hose	EF-104
B	Wall Elbow	EF-105
C D E	Wall Cradle Cradle Mounting Screws Cradle Mounting Plate	EF-106
F G H I	Plug Button Star Washer Handle Set Screw	T-226
J K	Lock Nut Dome Cover	T-19/20-PL
L M	Mounting Screws Shower Escutcheon	T-225B
N	Hand Shower	442W
O	Diverter Handle	T-30C
P	Tub Spout	069

Notes:

- 1) Append -STN to part number for Satin nickel finish.
- 2) Append -1.5 or -2.0 to hand shower for low flow.

Required for Installation

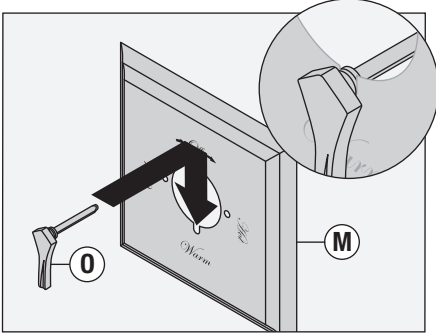
Adjustable wrench	
Phillips head screwdriver	
Allen wrench, 3/16"	
Teflon Tape	

Installation

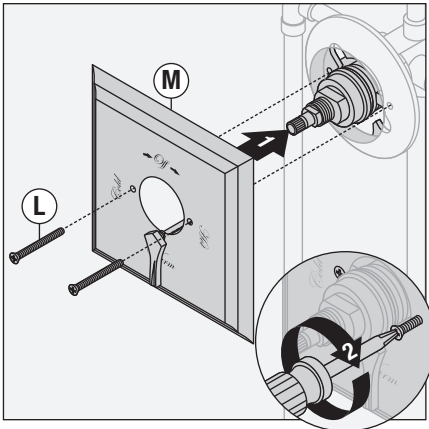
Note:

For valve body installation, please see valve body installation guide.

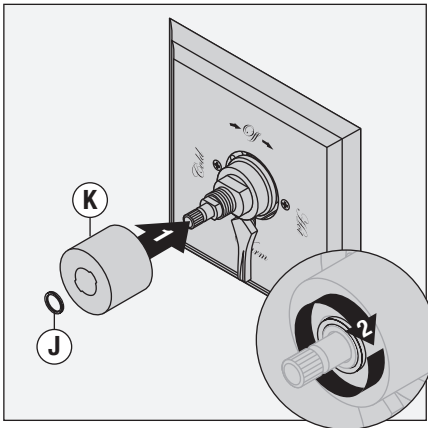
- 1) Install secondary integral diverter (O) into shower escutcheon (M).



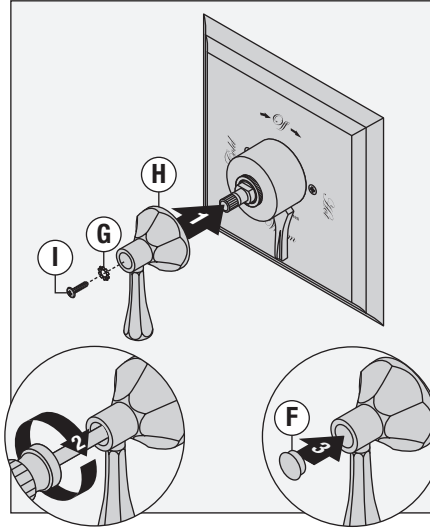
- 2) Install shower escutcheon (M) to shower valve. Secure with two screws (L).



- 3) Install dome cover (K) to valve and secure with lock nut (J).

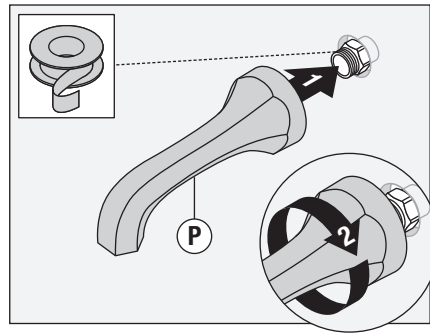


- 4) Install handle (H) to valve and secure with screw (I) and star washer (G). Attach plug button (F) to handle.

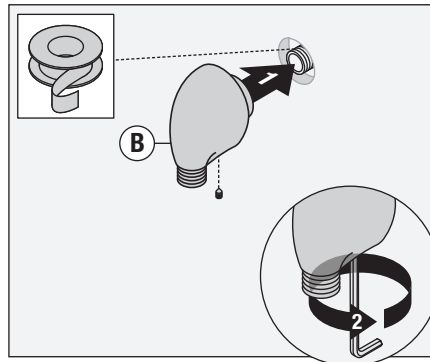


Note: Handle should be facing the 6 o'clock position.

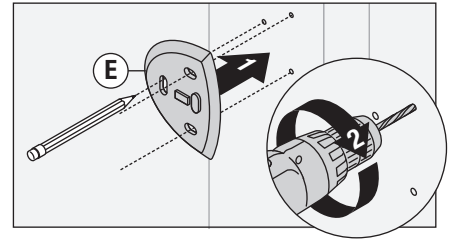
- 5) Install tub spout (P) to pipe fitting. Turn clockwise to secure.



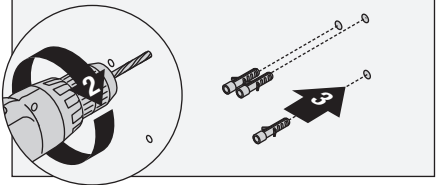
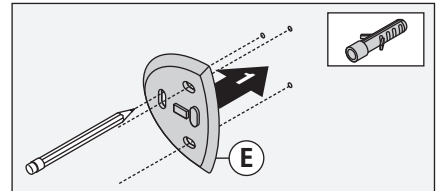
- 6) Install wall elbow (B) to stub out pipe. Turn clockwise to tighten.



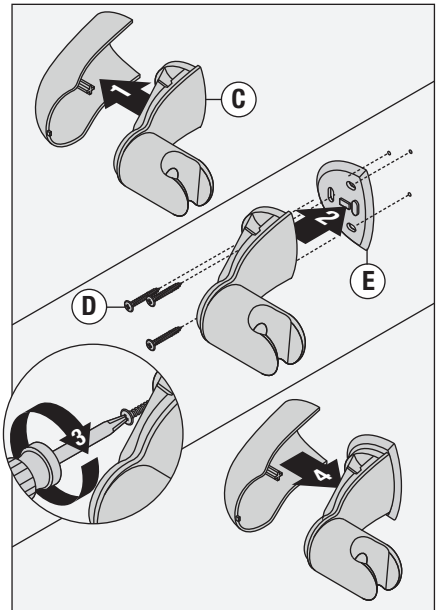
- 7) Place cradle mounting plate (E) in position, mark and drill 1/8" pilot holes into stud.



Option: Place cradle mounting plate (E) in position, mark and drill 3/16" holes into wall. Install anchors.

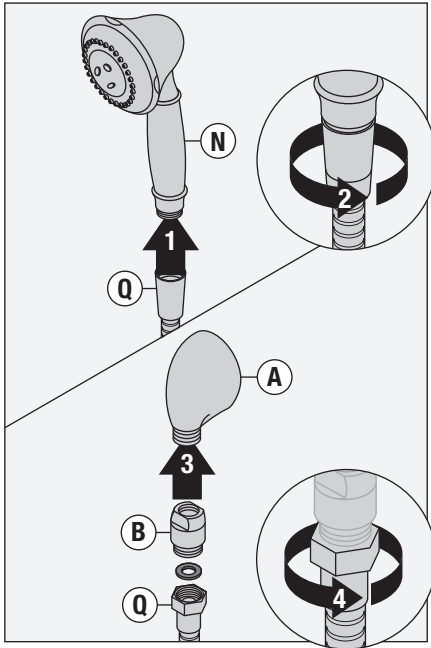


- 8) Remove cover of hand shower cradle (C). Install cradle and mounting plate (E). Secure with three screws (D). Replace cover on hand shower cradle.



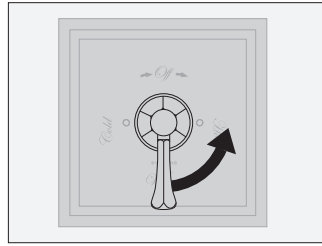
Installation

- 9) Attach large end of hand shower hose (Q) to hand shower head (N). Attach small end of hand shower hose (Q) and gasket to in-line vacuum breaker (A). Connect in-line vacuum breaker to wall elbow (B). Turn clockwise to tighten.

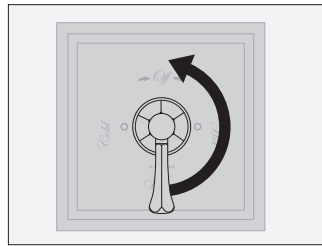


Temperature Control

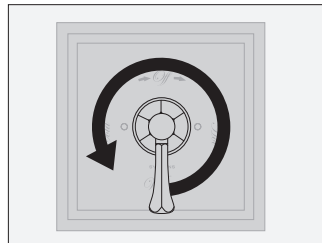
- 1) Turn shower handle counter-clockwise approximately 1/4 turn to put valve in cold position.



- 2) Turn shower handle counter-clockwise approximately 1/2 turn to put valve in warm position.

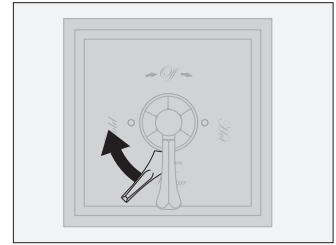


- 3) Turn shower handle counter-clockwise approximately 3/4 turn to put valve in hot position.

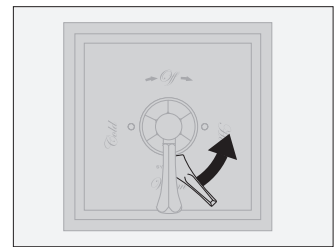


Diverter Control

- 1) Turn diverter left for tub spout operation.



- 2) Turn diverter right for hand shower operation.



Care and Cleaning

- 1) Clean finished trim area with a soft cloth using mild soap and water or a non-abrasive cleaner and then quickly rinse with water.

Troubleshooting Chart

Problem	Cause	Solution
Finish is spotting.	Elements in water supply may cause water staining on finish.	Clean finished trim area with a soft cloth using mild soap and water or a non-abrasive cleaner and then quickly rinse with water.