



SYMMONS® Winslet®

Lavatory Faucet SLS-5112

Installation Brief



Model Number

SLS-5112.....Single handle lavatory faucet with pop-up drain



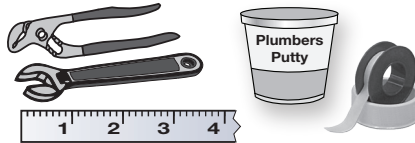
Applies to models manufactured after Q1 2013, p/n LN-02057 identified on faucet rear base

Decorative Finishes

Append finish suffix code to replacement part numbers when applicable

- STN Satin nickel finish
- Chrome (standard)

Tools & Materials



Care and Cleaning

Clean finished area using mild soap or a non-abrasive cleaner and then quickly rinse with water. A non-abrasive wax may be used to preserve finish area.

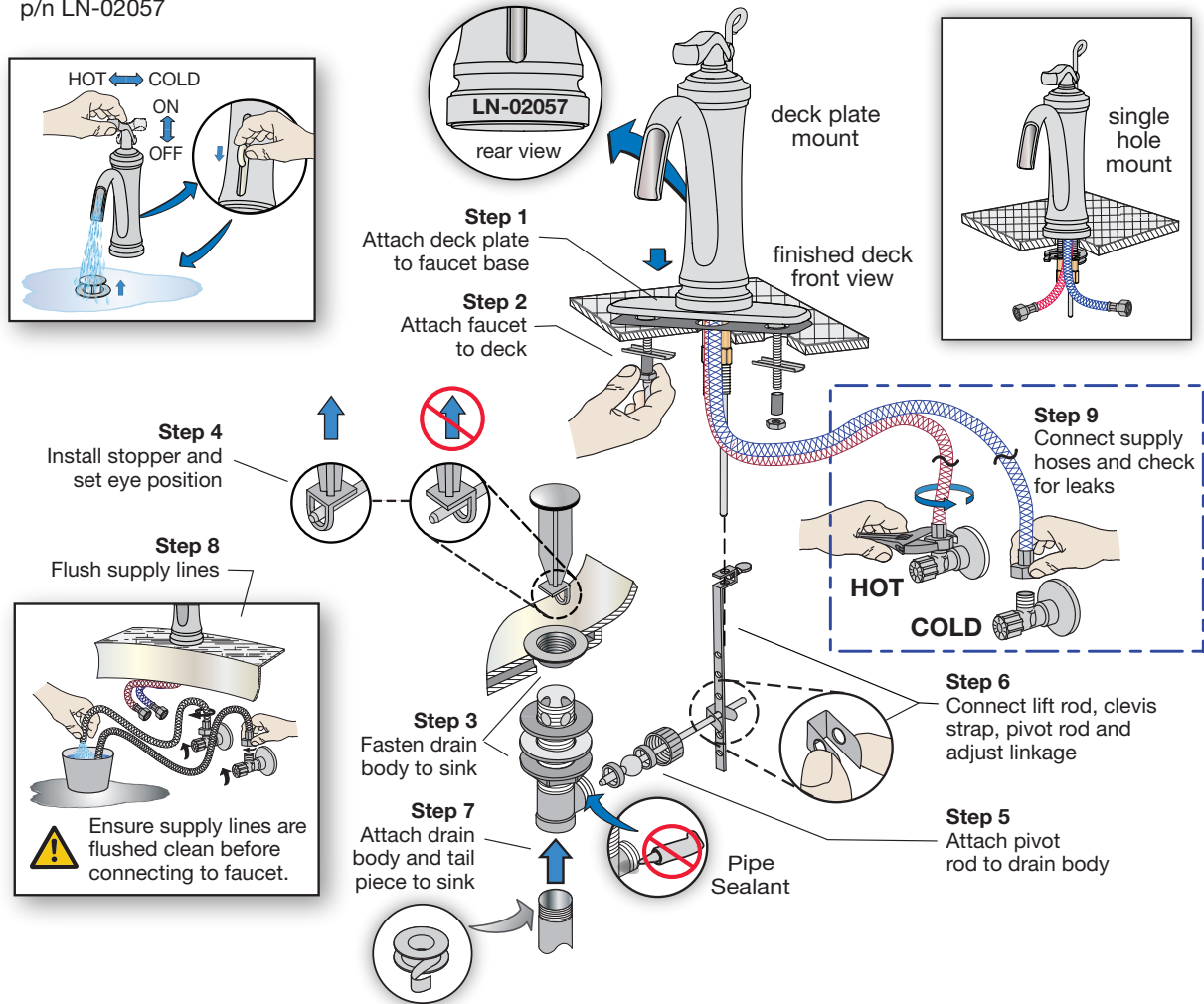
Need Help?

Contact Symmons customer service at
 Phone: (800) 796-6667
 Email: gethelp@symmons.com
 Monday - Friday 7:30 am - 6:00 pm EST

Please check Symmons website for technical help, the latest product information and warranty policy.
www.symmons.com/service

Quick Install Guide Winslet Single Handle Lavatory Faucet, SLS-5112

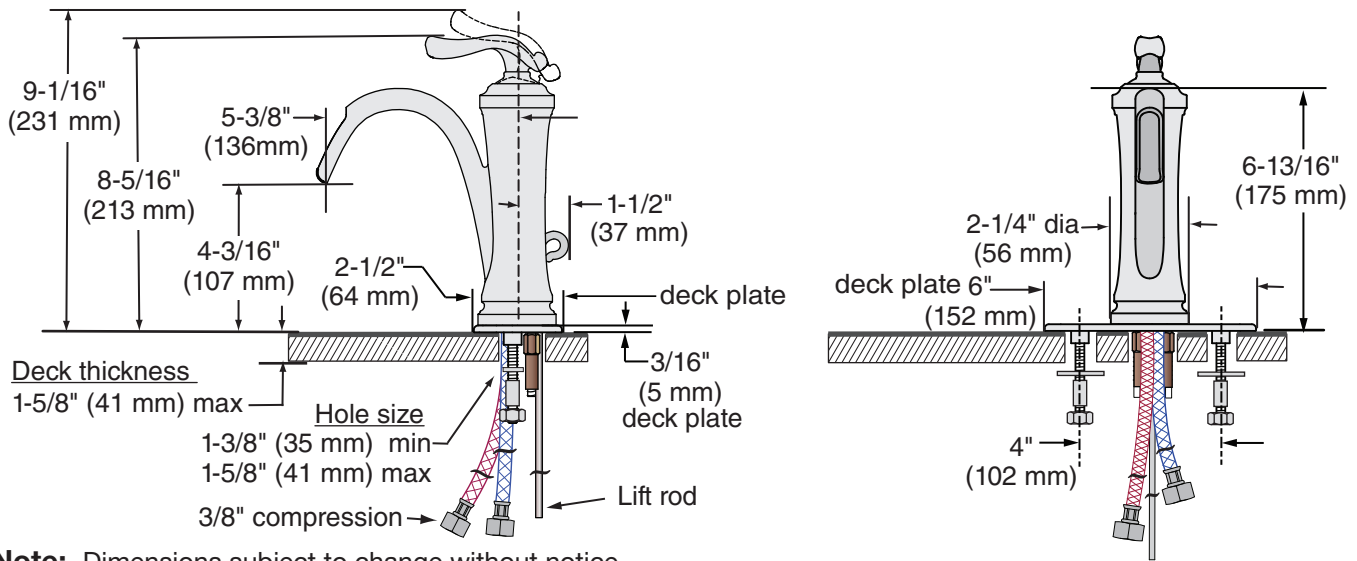
p/n LN-02057



⚠ WARNING: This product can expose you to chemicals including lead, which is known to the state of California to cause cancer, birth defects, or other reproductive harm. For more information, go to www.P65Warnings.ca.gov.

Dimensions Winslet Single Handle Lavatory Faucet, SLS-5112

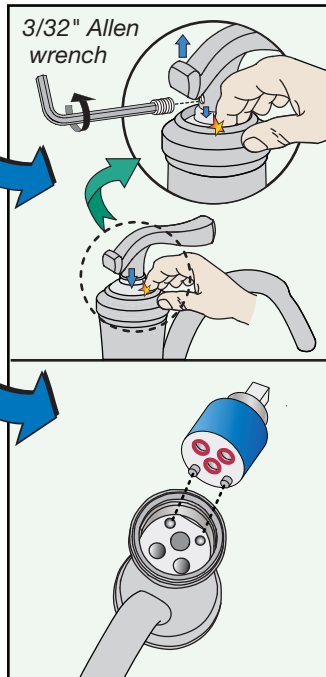
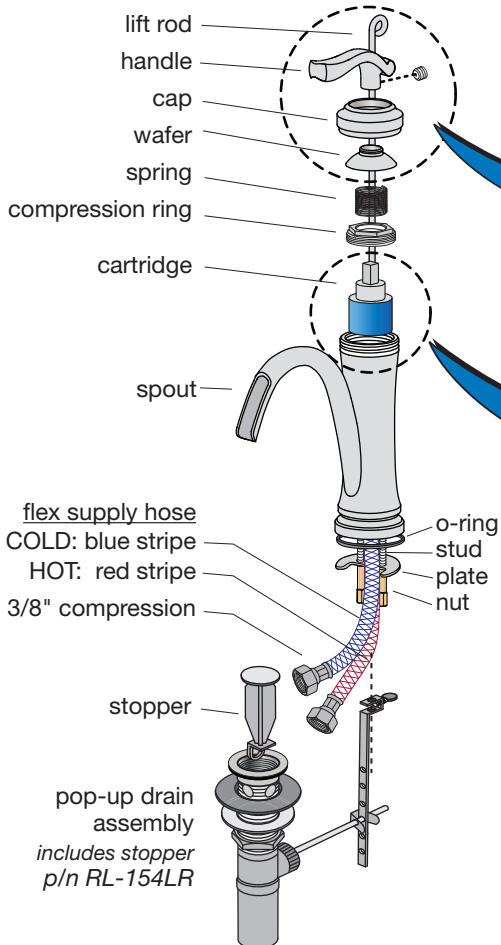
p/n LN-02057



Note: Dimensions subject to change without notice.

Parts Assembly Winslet Single Handle Lavatory Faucet, SLS-5112

p/n LN-02057



Replacement Parts	
Part Number	Item
RL-133*	handle 10-32 x1/8 socket screw
RL-134*	cap
RL-135*	wafer
RL-137	spring
KN-4	cartridge
RL-136*	lift rod
RL-145*	deck plate assembly
contact customer service	standard flow regulator 1.5 gpm (5.7 L/min) (factory installed)

* Note: For decorative finish faucets append the appropriate suffix code letters to part numbers marked with an asterisk (*)

Ordering replacement parts:

Call Symmons customer service at (800) 796-6667 M-F 7:30 am - 7:00 pm or check our website at symmons.com for a list of Symmons distributors.



Replacement part numbers apply only to faucets manufactured after Q1 2013, p/n LN-02057 identified or rear base of faucet