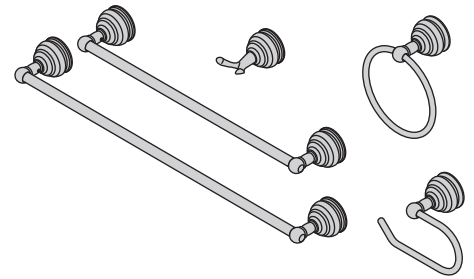




473RH, 473TB-18, 473TB-24, 473TP, 473TR
Allura® Accessories



Operation & Maintenance Manual

Model Numbers	Specifications
<input type="checkbox"/> 473RH <i>Robe Hook</i> <input type="checkbox"/> 473TB-18 <i>18" Towel Bar</i> <input type="checkbox"/> 473TB-24 <i>24" Towel Bar</i> <input type="checkbox"/> 473TP <i>Toilet Paper Holder</i> <input type="checkbox"/> 473TR <i>Towel Ring</i>	<p>All premium accessories made from brass plated in standard polished chrome finish.</p>
Modifications	Warranty
<input type="checkbox"/> -STN <i>Satin nickel finish</i>	<p>Limited Lifetime - to the original end purchaser in consumer installations. 5 Years - for commercial installations.</p> <p>Refer to www.symmons.com/warranty for complete warranty information.</p>

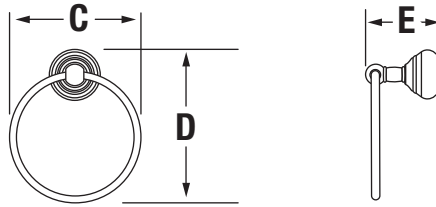
Note: Append appropriate -suffix to model number.

Dimensions

473RH



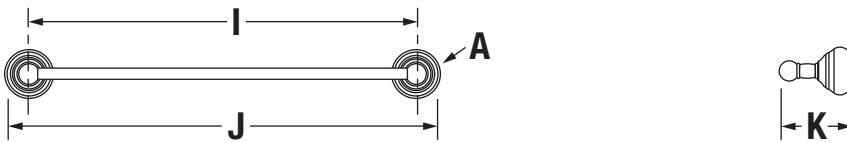
473TR



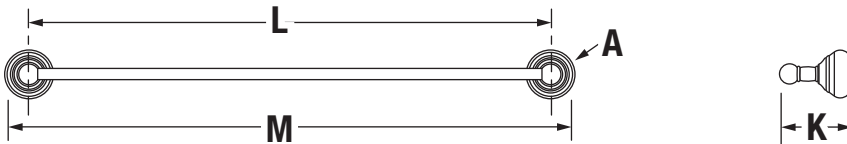
473TP



473TB-18



473TB-24



Measurements

A	Ø 2 1/4", 57 mm
B	3 7/8", 98 mm
C	6", 152 mm
D	7", 178 mm
E	3 1/2", 89 mm
F	4 5/16", 110 mm
G	6 7/8", 175 mm
H	3 1/2", 89 mm
I	18", 457 mm
J	20 1/4", 514 mm
K	3 1/2", 89 mm
L	24", 610 mm
M	26 1/8", 665 mm

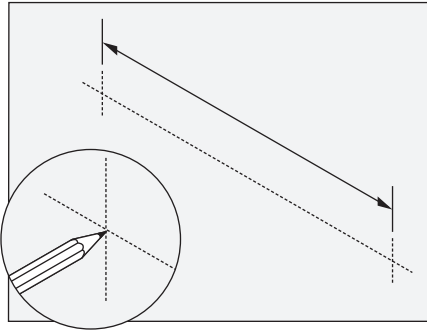
Required for Installation

Phillips head screwdriver	
Allen wrench, 3/16"	
Power Drill	

Note: Dimensions are subject to change without notice.

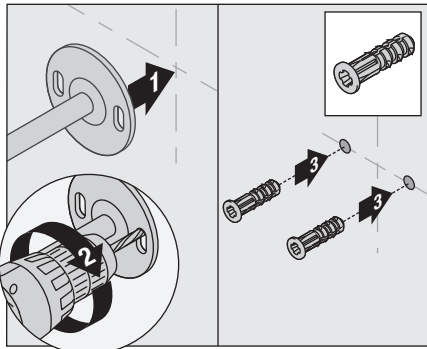
Installation

- 1) Measure and mark centerlines for mounting bracket installation using dimensions on page 2.

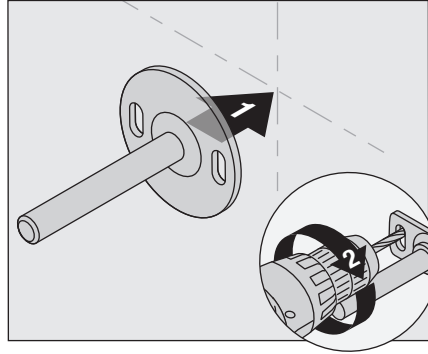


Notes: 473TB-18 and 473TB-24 only. Make sure both centerline marks are level.

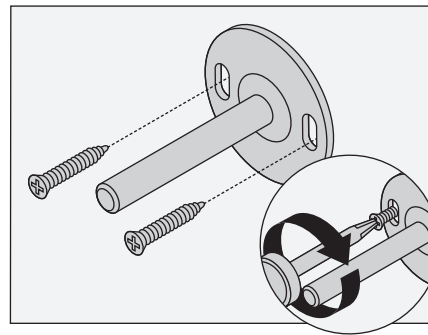
- 2a) **Dry Wall Option:** Place mounting brackets into desired position. Using brackets as a guide, carefully drill 3/16" holes into wall and install anchors.



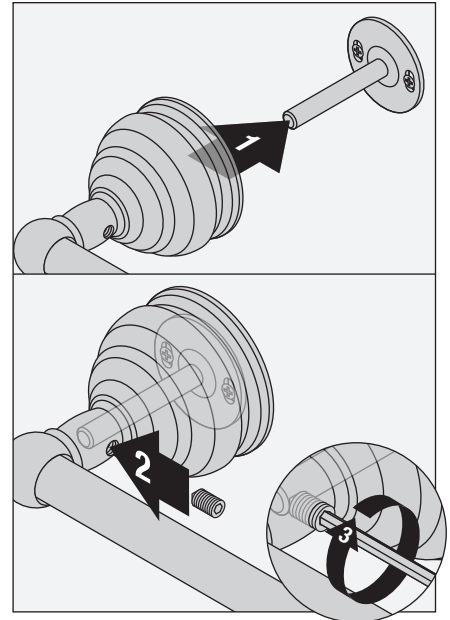
- 2b) **Stud Option:** Place mounting brackets into desired position. Using brackets as a guide, carefully drill 3/16" holes into wall.



- 3) With mounting brackets in position, secure to wall using screws.



- 4) Fully slide accessory body over mounting plate and secure with set screw.



Care and Cleaning

- 1) Clean finished trim area with a soft cloth using mild soap and water or a non-abrasive cleaner and then quickly rinse with water.