




SYMMONS® DS Creations

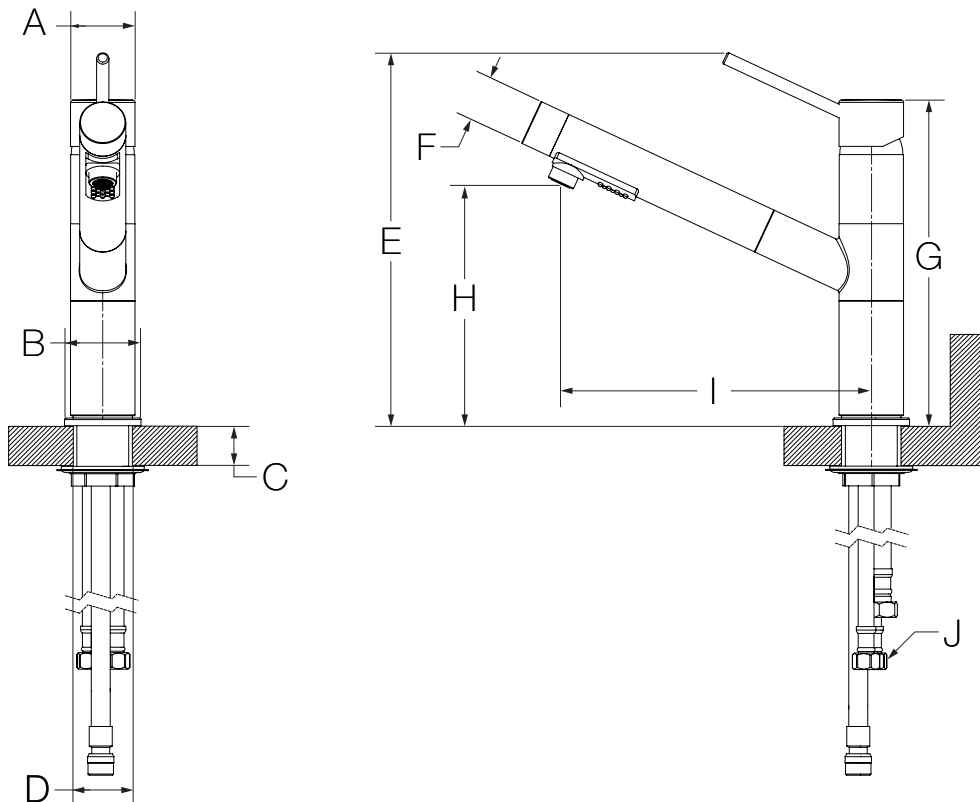
the smart choice™

SK-7200-PO (CDSK0105-2101-PO-SWVL-1.5) Single Handle Pull-Out Kitchen Faucet Installation Guide



Model Numbers	Specification
<input type="checkbox"/> SK-7200-PO <i>Single Handle Pull-Out Kitchen Faucet</i>	Single Handle Pull-Out Kitchen Faucet shall include single hole mount configuration, ceramic cartridge, 3/8" compression connections and standard 2.2 gpm (8.3 L/min) aerator. Faucet shall be made from metal construction, plated in standard polished chrome finish.
Warranty	Compliance
Limited Lifetime - to the original end purchaser in consumer/residential installations. 5 Years - for industrial/commercial installations. Refer to www.symmons.com/warranty for complete warranty information.	-ASME A112.18.1/CSA B125.1 -NSF/ANSI 61.9 

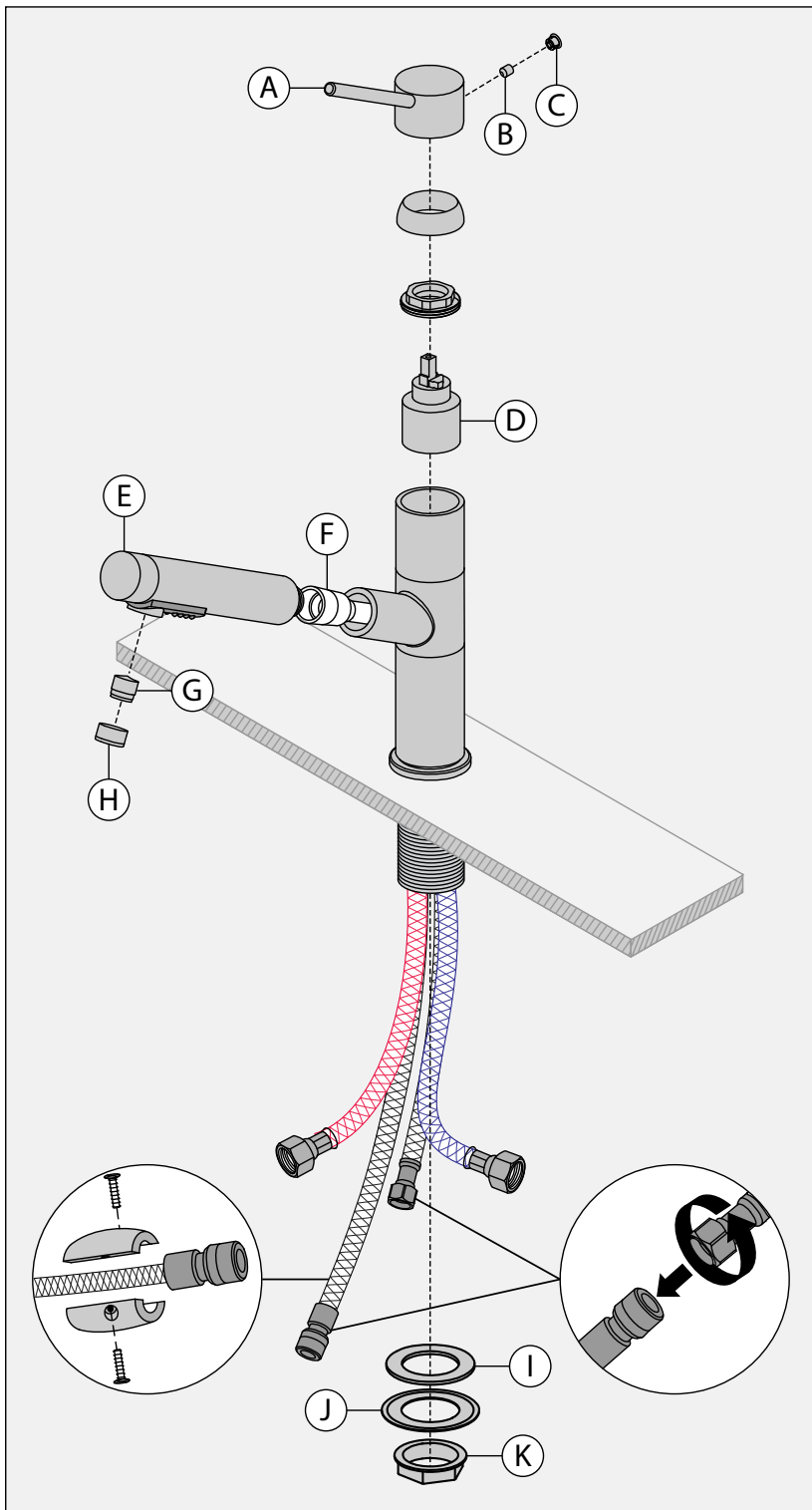
Dimensions



Measurements	
A	Ø 1-5/8", 41 mm
B	Ø 2", 51 mm
C	Deck Thickness Ref. Max. 1-1/2", 38 mm
D	Hole Size Ø 1-1/2", 38 mm
E	9-5/8", 244 mm
F	Ø 1-1/8", 29 mm
G	8-3/8", 213 mm
H	6-1/4", 159 mm
I	8", 203 mm
J	3/8" compression fitting

Note: Dimensions subject to change without notice.

Parts Breakdown



Replacement Parts

Item	Description	Part Number
A	Handle	
B	Set Screw	RK-041
C	Plug Button	
D	Cartridge	KN-4
E	Spray Wand	RK-044
F	Pull-Out Hose	RK-032-GY
G	Aerator Housing	RK-045-1.5
I	Rubber Washer	
J	Metal Washer	RK-043
K	Mounting Nut	

Tools Required for Installation

Adjustable Wrench	
Allen Wrench: Handle (2 mm)	
Plumber Tape	
Silicone	

Notes:

- 1) Apply a bead of silicone around the perimeter of trim installed flush to sink
- 2) Apply plumber tape to all threaded connections.

⚠ WARNING: This product can expose you to chemicals including lead, which is known to the state of California to cause cancer, birth defects, or other reproductive harm. For more information, go to www.P65Warnings.ca.gov.