





SYMMONS® DS Creations

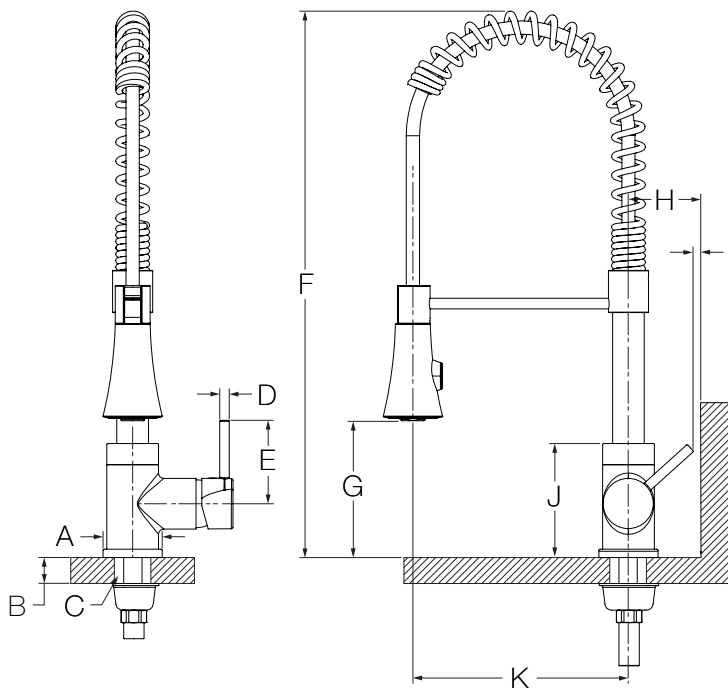
the smart choice™



SPR-3510-PD (CDSK0349-PO-SPR-1.75) Spring Kitchen Faucet with Pull-Down Wand Installation Guide

Model Numbers	Specification
<input type="checkbox"/> SPR-3510-PD <i>Spring Kitchen Faucet with Pull-Down Wand</i>	Spring Kitchen Faucet with Pull-Down Wand shall include single hole mount configuration, dual function stream to spray wand (faucet will default to stream mode), ceramic cartridge, braided hose connections and standard 2.2 gpm (8.3 L/min) aerator. Faucet shall be made from metal construction, plated in standard polished chrome finish.
Compliance	
-ASME A112.18.1/CSA B125.1 -NSF/ANSI 61.9, NSF/ANSI 372	 
Warranty	Modifications
Limited Lifetime - to the original end purchaser in consumer/residential installations. 5 Years - for industrial/commercial installations. Refer to www.symmons.com/warranty for complete warranty information.	<input type="checkbox"/> CG -1.75 <i>1.75 gpm (6.6 L/min) aerator</i> <input type="checkbox"/> -GH <i>Gray hose</i> <input type="checkbox"/> -STS <i>Stainless Steel finish</i> Note: Append appropriate -suffix to model number.

Dimensions

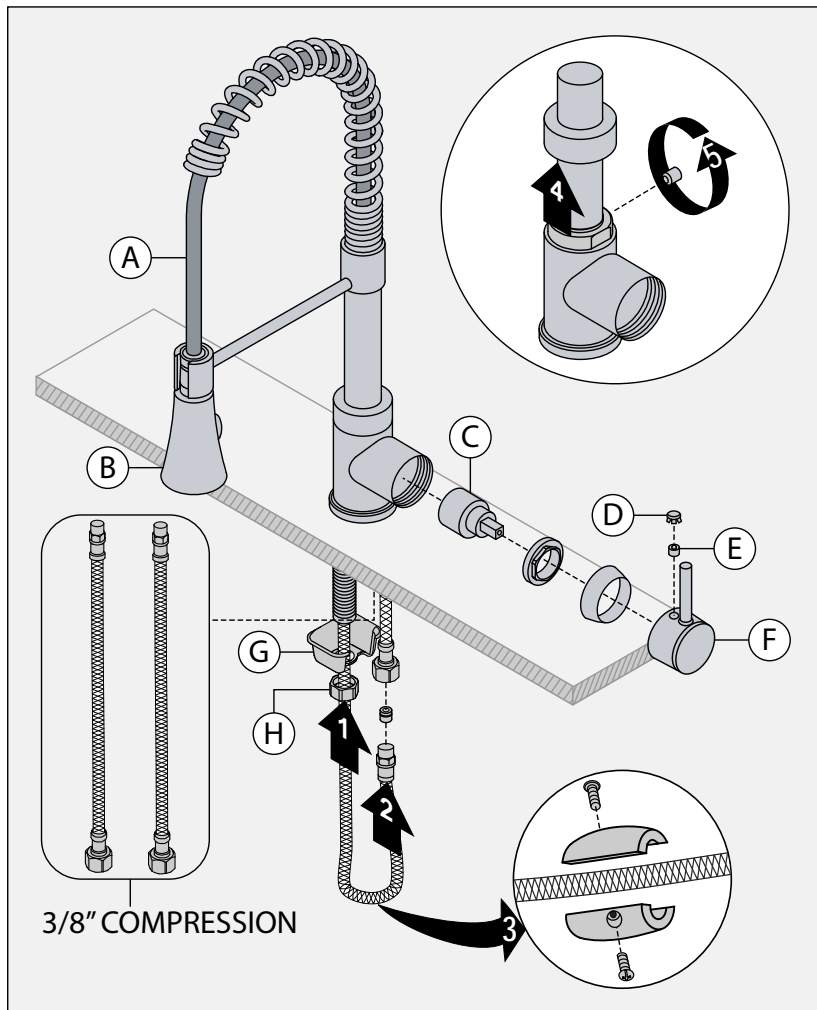




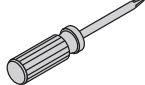

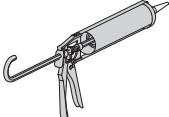
Measurements	
A	Ø 2-3/16", 56 mm
B	Deck Thickness Ref. Max. 1-1/2", 38 mm
C	Hole Size Min. Ø 1-3/4", 44 mm Max. Ø 1-7/8", 48 mm
D	Ø 3/8", 10 mm
E	3-1/8", 79 mm
F	20-3/8", 518 mm
G	5-1/8", 130 mm
H	Min. 3-1/8", 79 mm
I	3/4", 19 mm
J	4-1/4", 108 mm
K	8-1/16", 205 mm

Notes:

- 1) Hoses removed for clarity.
- 2) Dimensions subject to change without notice.

Parts Breakdown



Replacement Parts		
Item	Description	Part Number
A	Pull-Down Wand Hose	RK-032 (Black) RK-032-GY (Gray)
B	Pull-Down Wand	RK-030
C	Cartridge	KN-4
D	Plug Button	
E	Set Screw	RK-009
F	Handle	
G	Mounting Flange	
H	Mounting Nut	RK-008
Tools Required for Installation		
Adjustable Wrench		
Allen Wrench: Handle (2 mm) Spout (2 mm)		
Phillips Head Screwdriver		
Plumber Tape		
Silicone		

Notes:

- 1) Apply a bead of silicone around the perimeter of trim installed flush to sink.
- 2) Apply plumber tape to all threaded connections.

⚠ WARNING: This product can expose you to chemicals including lead, which is known to the state of California to cause cancer, birth defects, or other reproductive harm. For more information, go to www.P65Warnings.ca.gov.