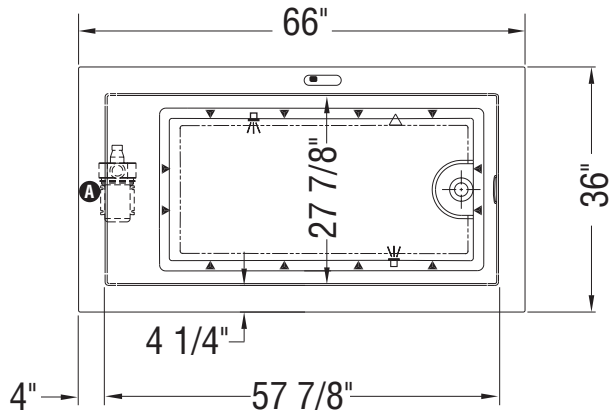
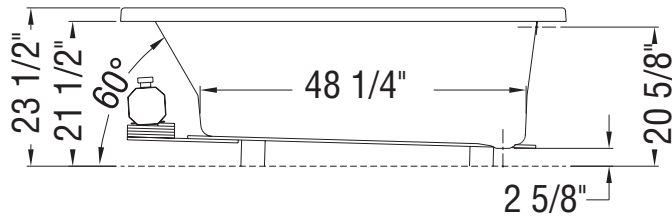
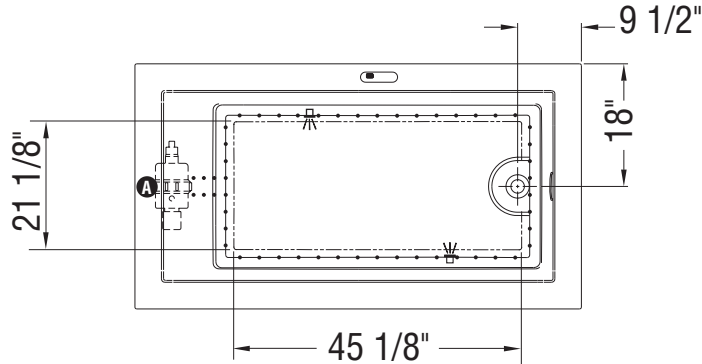


WHIRLPOOL SYSTEM



AIR SYSTEM



Note: Air backjets on same side as blower

(▲): Indicates whirlpool jets positioning

(△): Indicates suction positioning

(●): Indicates airjets positioning

(☼): Indicates chromatherapy light positioning

(A): Indicates pump or blower positioning

Bathtub base includes anti-vibration Neutra-Phone leg supports (not shown).

All dimensions are approximate. Structure measurements must be verified against the unit to ensure proper fit.