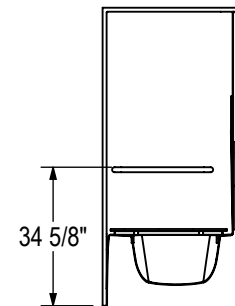
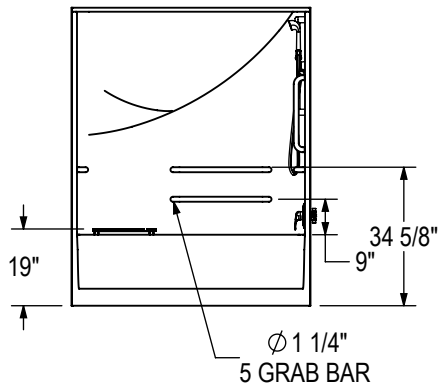
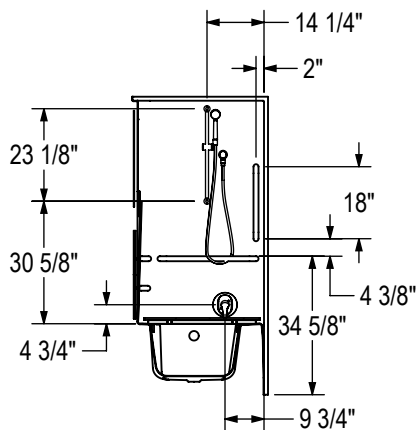
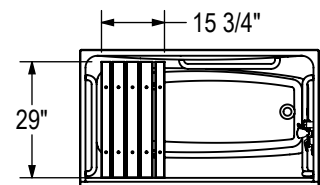
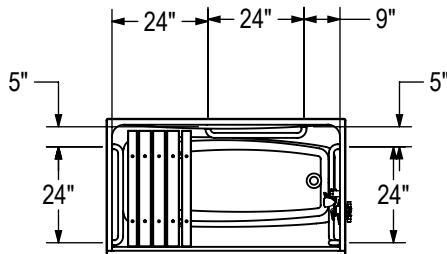


BASE MODEL WITH COMPLETE ANSI PACKAGE  
 RIGHT SIDE SHOWN  
 LEFT SIDE SYMMETRICAL



All dimensions are approximate. Structure measurements must be verified against the unit to ensure proper fit.