

Features

- Required for Purist® and Falling Water® wall-mount Touchless faucet trims.
- 0.5 gal/min (1.9 l/min) flow rate.
- On demand on and off.30 second maximum cycle time.
- Ideal for use with KOHLER Vessels.
- Low-Lead (SDWA) compliant

Material

- Brass construction.

Technology

- Insight™ adaptive infrared technology.
- Does not require battery or power cell.

Installation

- Requires a plug-in AC power supply
- Adjustable sensor/spout distance.
- 13480-A or 13481-A power supplies are designed for North America outlets
- Valve control box includes stop valve therefore it can be connected to waterline directly. Does not require additional stop valve

Required Products/Accessories

K-13480 AC Single Supply

or

K-13480-A AC Single Supply

or

K-13481 Multi-Outlet Power Supply

or

K-13481-A Multi-Outlet Power Supply



ADA

CSA B651

OBC

Codes/Standards

ASME A112.18.1/CSA B125.1

NSF/ANSI 372

ADA

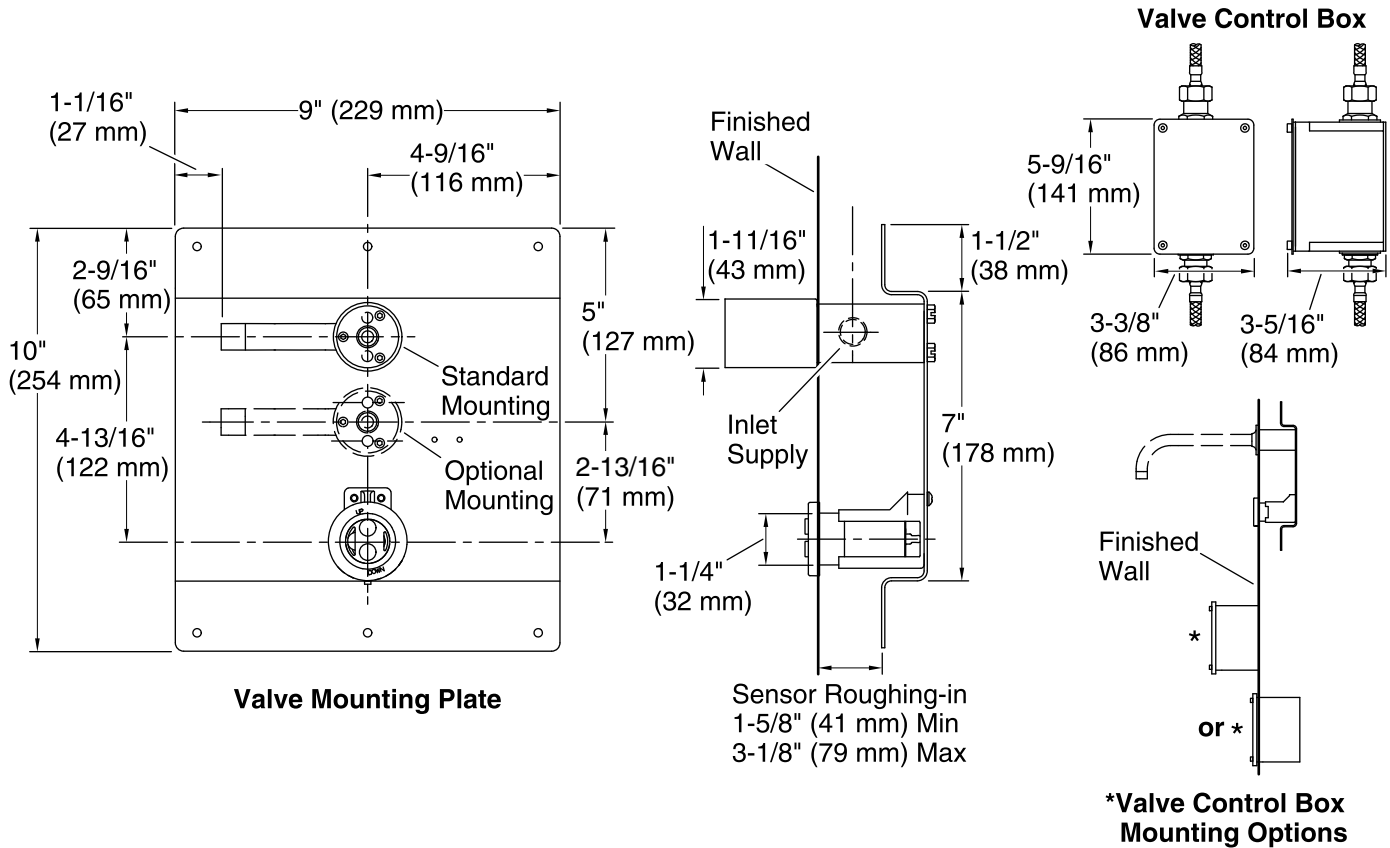
ICC/ANSI A117.1

CSA B651

OBC

KOHLER® One-Year Limited Warranty

See website for detailed warranty information.



Technical Information

All product dimensions are nominal.

Power source: Hardwire - AC, not included

Faucet:

Flow rate: 0.5 gal/min (1.9 l/min)

Pressure: 45 psi (3.1 bar)

Notes

Install this product according to the installation instructions.

Reference the installation instructions for specific framing information.

Requires an AC power supply (not included).

For use with faucet trim: K-T11837, K-T11839, K-T11840, and K-T11841.

Valve control box can be installed in the wall or on the wall.

ADA, OBC, CSA B651 compliant when installed to the specific requirements of these regulations.