

# Installation Guide

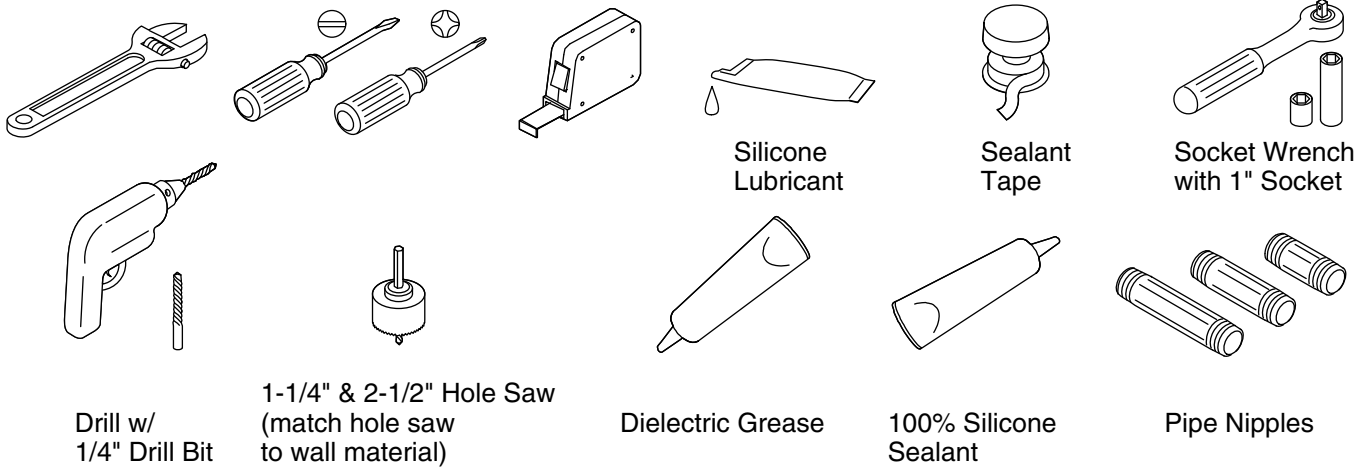
## Steam Control Kit

Français, page "Français-1"  
Español, página "Español-1"

THE BOLD LOOK  
OF **KOHLER**®

1387543-2-A

## Tools and Materials



## Before You Begin



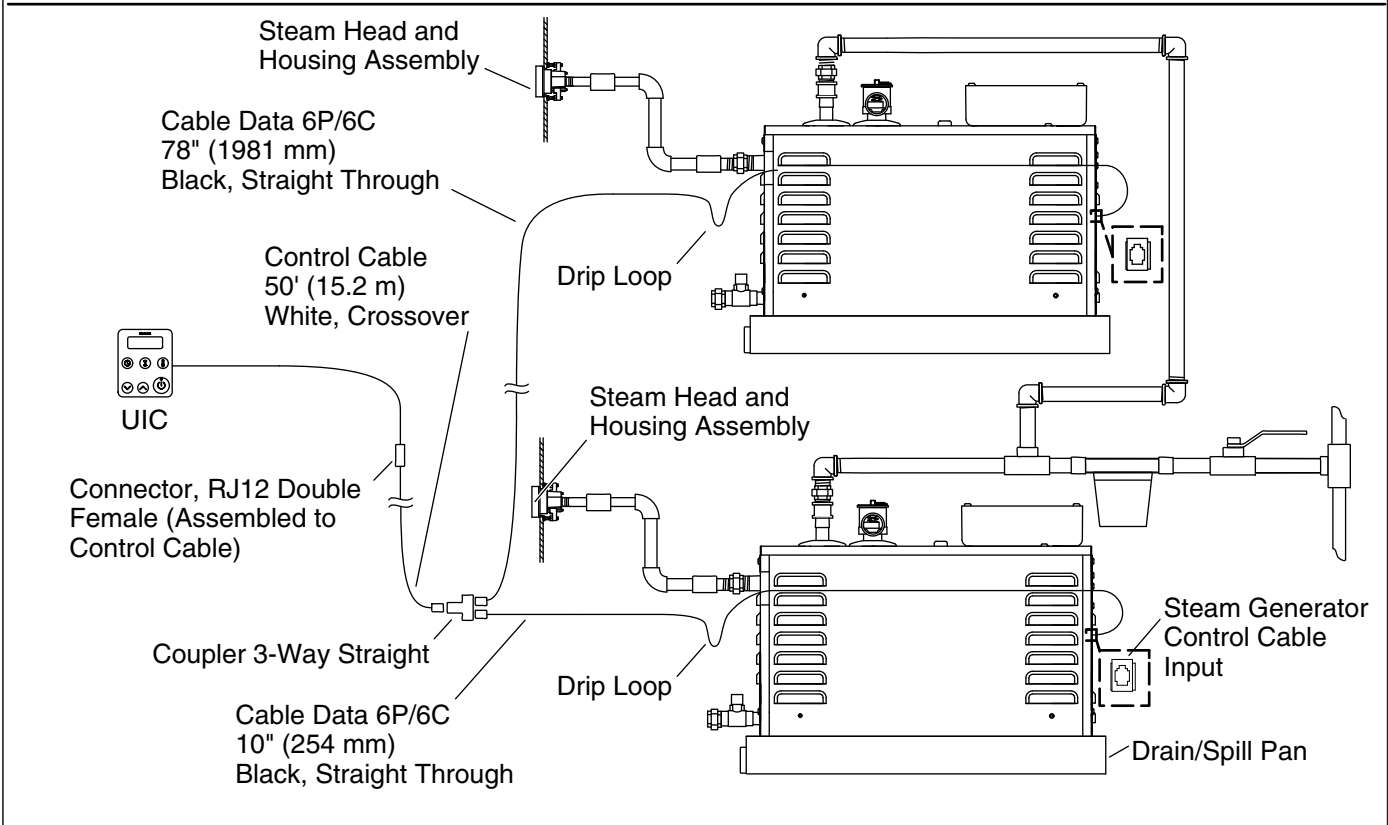
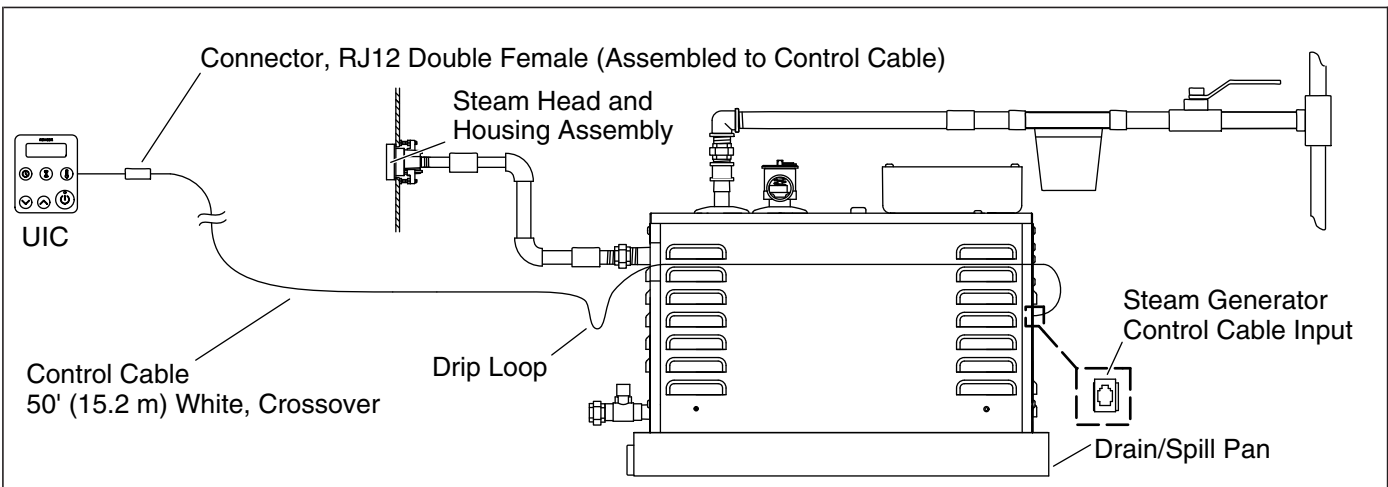
**CAUTION: Risk of electrocution.** Disconnect the electricity to the working area at the main breaker panel before performing these installation steps.



**CAUTION: Risk of allergic reaction.** Before adding any oils, aromatic therapies, or skin care products to the aromatherapy well, make sure they will not cause an allergic reaction to the user.

**NOTICE:** Use this unit only for its intended use as specified in this manual. **DO NOT** use attachments not recommended by Kohler Co.

- Inspect the product for any shipping damage. Do not install the unit if it is damaged. Contact Kohler Co. Customer Care Center using the information on the back of this guide.
- Follow all local plumbing and electrical codes. All electrical work should be done by a qualified electrician.
- Disconnect all power before making any electrical connections.



## Layout Options

### 1. Review the Layout



**CAUTION: Risk of personal injury.** Do not install the Steam Control User Interface outside the steam enclosure. The User Interface must be installed within the enclosure to allow the sensors to regulate the temperature and control the flow of steam.



**CAUTION: Risk of scalding or burning.** Do not locate the steam head near a seat or bench, as the steam head is hot during operation and may scald or burn the user.

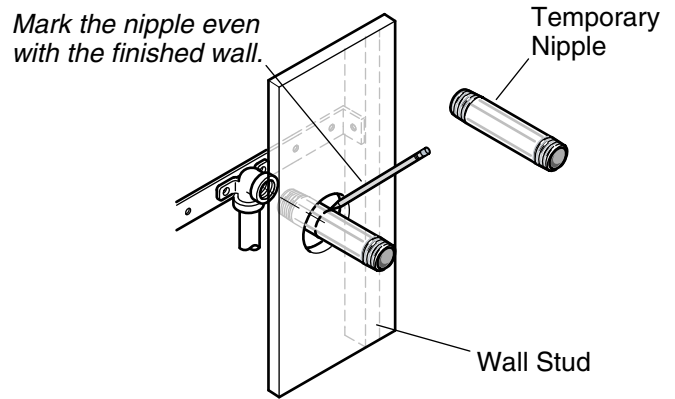
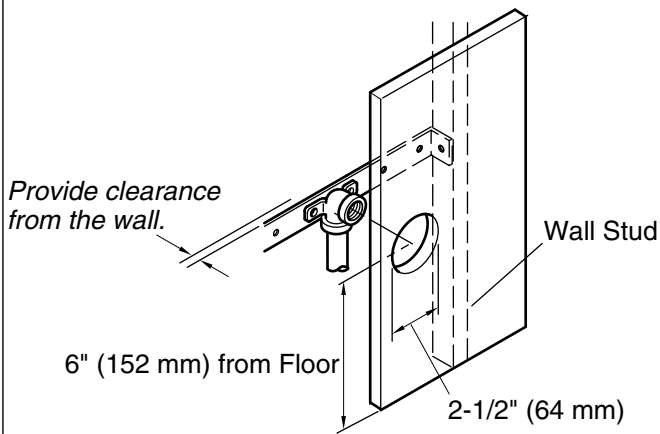
**NOTICE:** The user interface should be mounted on the wall opposite the steam head. The steam head must be located as far away from the seating area as possible.

**NOTICE:** Locate the steam head 6" (152 mm) above the floor and a minimum of 4-1/2" (114 mm) from the threshold.

### **Review the Layout (cont.)**

Review the layout determined during the steam generator installation. See the steam generator installation guide for more information.

- Install the steam control user interface inside the steam enclosure.
- Determine the steam head location or locations (for dual steam generator installations).
- Ensure clearance between the steam line and any surrounding surfaces.

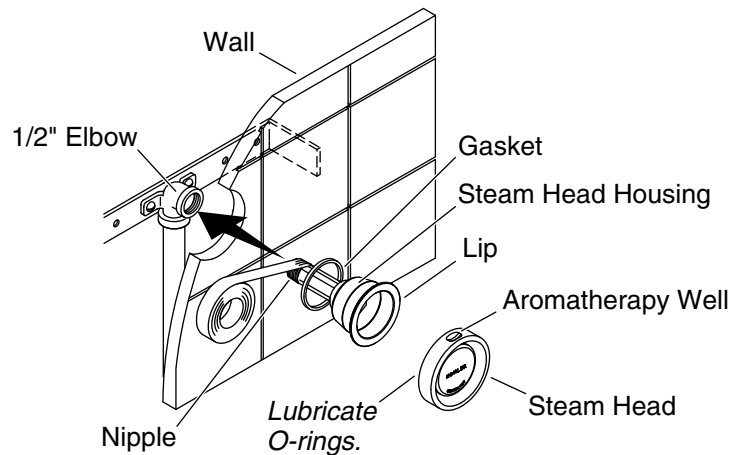


## 2. Prepare the Site

**NOTE:** This section continues the installation described in the steam generator installation instructions. Refer to the steam generator installation instructions for more information, as needed.

**NOTE:** If two steam heads are used, there must be at least 12-1/2" (318 mm) between the center of each hole. The steam heads do not need to be located on the same wall. Install two steam heads on different walls to improve steam distribution.

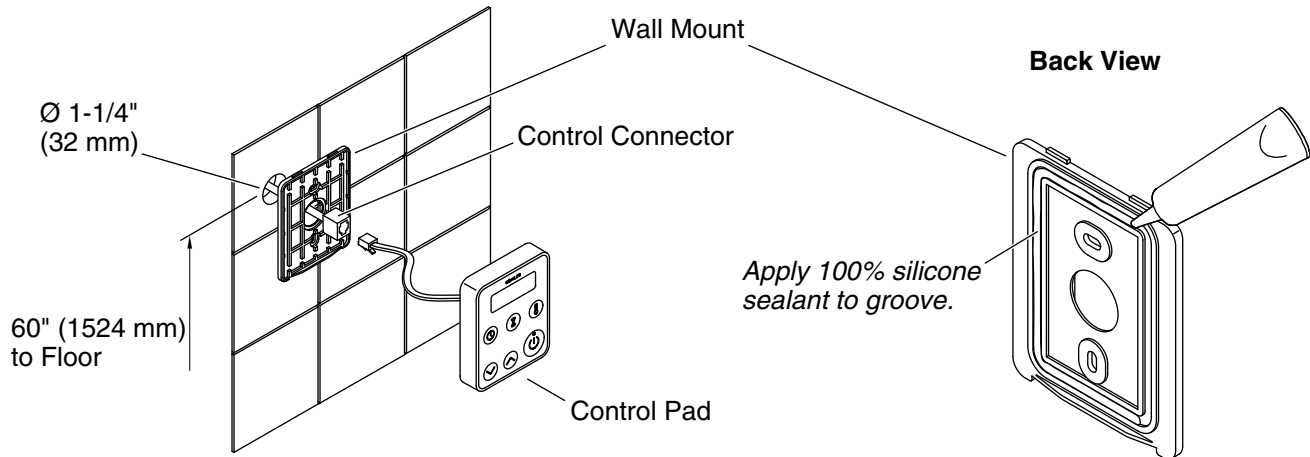
- Install the finished wall.
- Drill or cut a 2-1/2" (64 mm) hole centered around the elbow in the wall.
- Mark the temporary pipe nipple at the finished wall surface.
- Remove the temporary pipe nipple from the elbow.



### 3. Install the Steam Head(s)

**NOTICE:** Do not obstruct the steam head with shut-off valves, plugs, or caps.

- Subtract 1-1/4" (32 mm) from the marked length to determine the appropriate nipple size.
- Choose a nipple length within 1/8" (3 mm) of the appropriate nipple size.
- Apply thread sealant to one end of the nipple and thread that end into the steam head housing until hand-tight.
- Apply thread sealant to the other end of the nipple.
- Position the gasket around the steam head housing so that it will be between the finished wall and the steam head housing flange.
- Use a 1" socket to thread the steam head housing assembly into the elbow in the wall.
- Make sure that the gasket is compressed and a good seal has been achieved around the edges of the steam head housing.
- Use an appropriate sealant to achieve a watertight seal if needed.
- Apply silicone lubricant to the steam head O-rings.
- Carefully press the steam head assembly into the steam head housing with the aromatherapy well positioned on the top of the steam head.



#### 4. Install the Steam Control



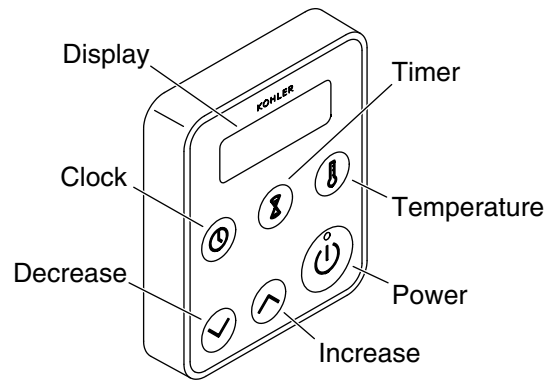
**WARNING: Risk of personal injury.** Do not install the steam control user interface outside the steam enclosure. The user interface must be installed within the enclosure to allow the sensors to regulate the temperature and control the flow of steam.

- Make sure that the power is turned off at the main breaker panel before proceeding.
- Locate the control pad on the wall 60" (1524 mm) from the floor.
- At the selected location, drill a 1-1/4" (32 mm) hole.
- Center the wall-mount on the 1-1/4" (32 mm) hole, and mark the screw hole locations.
- Use a 1/4" drill bit to drill holes for the wall anchors at the marked locations.
- Insert the wall anchors into the holes.
- Apply a continuous bead of 100% silicone sealant in the groove on the back side of the wall-mount, and secure the wall-mount with the screws provided.

**NOTICE:** Do not pinch, nail, wedge, or use undue force when handling the control connector and the control pad wire. Any damage may result in control kit failure. If the control pad is not installed immediately, protect the control connector with tape or other shielding material.

**NOTICE:** When installing the control kit, allow room in the control cable for a drip loop. The drip loop will discourage moisture from following the control cable to the steam generator.

- Pull the steam control connector and cable from the steam generator through the drilled hole.
- Apply dielectric grease in the control connector.
- Carefully plug the control connector to the control pad wire using the double-end female connector (provided).
- Snap the control pad onto the wall-mount.
- Restore the power at the main breaker panel.
- Turn on both water and power to the steam generator.
- Test the control pad to ensure it is functioning properly. Refer to the "Operating the Steam Control" section.
- Allow the sealant to cure for 24 hours before use.



## 5. Operate the Steam Control

### Steam Control Operation

**NOTE:** The clock is always displayed when the steam generator is not in use.

- Press the "Power" button to start the steam generator.
- When the "Power" button is pressed, the green light on the button turns on. The light remains on until the unit is turned off. The display reads "On" for the first 3 minutes of operation if the settings are not changed.
- Press the "Power" button again to turn off the steam generator. The green light on the "Power" button will turn off and the display will read "Off" for 5 seconds, and will then return to display the clock.

**NOTE:** When the unit is turned on, the steam duration and temperature settings will be those of the previous user's settings. A new steam control unit comes preset to operate at 113°F (45°C) for 15 minutes.

### Steam Control Operation

**NOTE:** Make sure that the steam control unit is turned on before making any of the following adjustments.

- Press the "Temperature" button and the display will flash the previous temperature setting. To adjust the steam room temperature, press the "Increase" or "Decrease" buttons to raise or lower the steam room temperature. The maximum allowable temperature is 125°F (52°C), and the minimum operating temperature is 90°F (32°C).
- After 5 seconds, the flashing will stop and the room temperature will be displayed as it changes to the target temperature.
- Press the "Timer" button and the display will flash the previous run time setting. Press the "Increase" or "Decrease" buttons to adjust the time setting higher or lower. After 5 seconds, the flashing will stop and the timer setting will be displayed. If the "Increase" or "Decrease" buttons are not pressed, the time will continue to count down. The minimum operating time is 10 minutes, and the maximum time allowed is 20 minutes.
- Press the "Clock" button and the display will flash the currently set time of day. Press the "Increase" or "Decrease" buttons to adjust the time of day. After 5 seconds, the display will stop flashing and the set time will be displayed.
- Press the "Power" button to stop the steam generator and exit the steam room at any time. The display will read "Off" for 5 seconds and then default to the set clock time.
- Change the temperature reading between Fahrenheit and Celsius by pressing and holding the "Temperature" button for 3 seconds.

### Power Clean Function



## Operate the Steam Control (cont.)



**WARNING: Risk of personal injury.** Steam room temperature will be extremely high when the power clean function is activated. **Do not** enter the steam room while the power clean function is in progress.

**IMPORTANT!** The user will be automatically instructed to activate the power clean function after 600 minutes of steam generator use. The display will read "run" "PCLn." The steam generator may be used three times after the "run" "PLCn" message is delivered and then the steam generator will not operate until the power clean cycle has been completed.

**NOTE:** Water will typically discharge from the steam head when the power clean function is activated. This is normal operation during the power clean cycle.

**NOTE:** The power clean cycle must be entirely completed before normal steam generator operation can be resumed.

- To activate the power clean function, simultaneously press the "Timer," "Increase," and "Decrease" buttons and hold them down for 5 seconds. The display will read "PCLn," "On," and then count down the power clean function cycle time until the cleaning process is complete. The cleaning cycle may last up to 45 minutes and will shut off automatically when complete.

**NOTE:** If electrical power to the steam generator is interrupted during the power clean function, the power clean cycle will need to be restarted after electrical power has been restored.

## Care and Cleaning

For best results, keep the following in mind when caring for your KOHLER product:

- Always test your cleaning solution on an inconspicuous area before applying to the entire surface.
- Wipe surfaces clean and rinse completely with water immediately after applying cleaner. Rinse and dry any overspray that lands on nearby surfaces.
- Do not allow cleaners to soak on surfaces.
- Use a soft, dampened sponge or cloth. Never use an abrasive material such as a brush or scouring pad to clean surfaces.

For detailed cleaning information and products to consider, visit [www.kohler.com/clean](http://www.kohler.com/clean). To order Care & Cleaning information, call 1-800-456-4537.

## Troubleshooting

**NOTE:** The troubleshooting steps primarily apply to the steam control. For steam generator issues, refer to the "Troubleshooting" section in the steam generator installation instructions.

**NOTE:** For service parts information, visit your product page at [kohler.com/serviceparts](http://kohler.com/serviceparts).

This troubleshooting guide is for general aid only. For service and installation issues and concerns, call 1-800-4KOHLER.

Symptoms	Probable Causes	Recommended Action
1. Error 1, 2, 3, 4, 7, or 8 is displayed.	A. A button on the user interface is stuck.	A. Turn off power to the steam generator and attempt to free the stuck button. Restore power to the steam generator.
	B. The user interface is damaged.	B. Contact the Customer Care Center using the information provided on the back page of this manual.

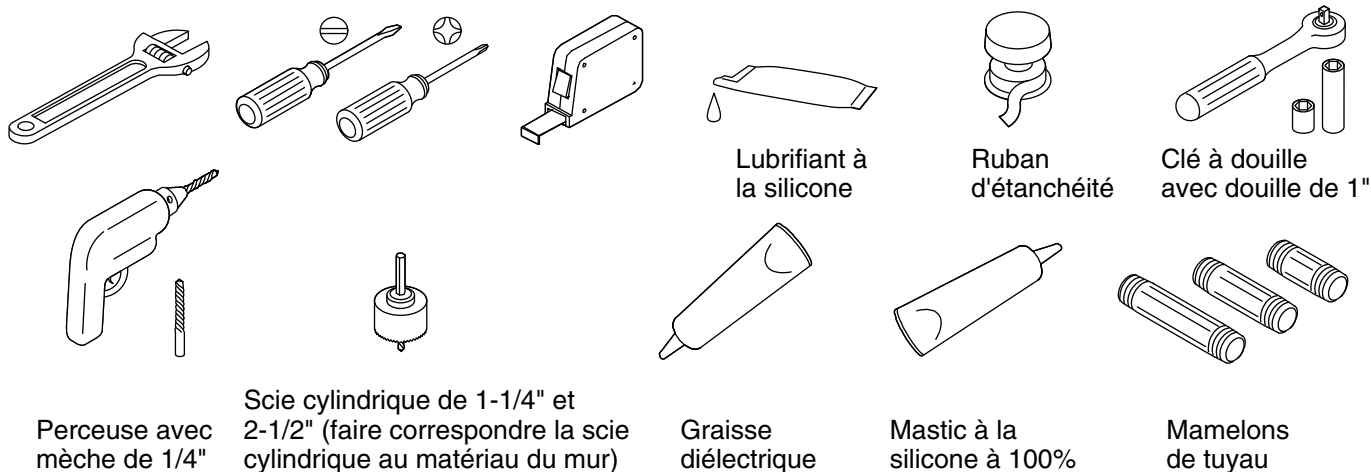
<b>Troubleshooting (cont.)</b>		
<b>Symptoms</b>	<b>Probable Causes</b>	<b>Recommended Action</b>
2. Error 5 is displayed.	A. Tank water level is too low (green status light on the steam generator is on).	A. Inspect the water inlet screen and clean if necessary. Ensure that the water supply valve is on and that water is being supplied to the steam generator.
	B. Tank temperature limit has been exceeded (green status light on the steam generator is on).	B. Contact the Customer Care Center using the information provided on the back page of this manual.
	C. Internal steam generator components are not functioning properly.	C. Contact the Customer Care Center using the information provided on the back page of this manual.
3. Error 6 is displayed.	A. The user interface is installed too close to the steam head.	A. Relocate the user interface away from the steam head.
4. Display is blank.	A. Inadequate power is supplied to the steam generator (green status light on steam generator is off).	A1. Provide proper power to the steam generator. If necessary, use the provided test kit to ensure that the steam generator is working properly.
		A2. Contact the Customer Care Center using the information provided on the back page of this manual.
	B. The user interface is not receiving power from the steam generator (green status light on the steam generator is on).	B. Use the provided test kit and instructions to identify the source of the problem.
	C. The user interface is damaged (green status light on the steam generator is on).	C. Contact the Customer Care Center using the information provided on the back page of this manual.
5. Water is discharged from the steam head.	A. Normal operation.	A. A small amount of water is normally discharged from the steam head just before, during, and after steam generator use, as well as when the power clean function is activated.
	B. Water supply lines are connected improperly.	B. Review the steam generator installation guide and reinstall the water supply lines at the proper locations.
	C. Internal steam generator components are not functioning properly.	C1. Turn off the water supply to the steam generator. If possible, drain the tank. Slowly open the water supply valve to refill the steam generator.
C2. Contact the Customer Care Center using the information provided on the back page of this manual.		
6. No steam following 5 minutes of having turned on the steam generator.	A. An error has occurred.	A. Check the user interface for error messages. If an error message appears, troubleshoot the appropriate error message listed above.

<b>Troubleshooting (cont.)</b>		
<b>Symptoms</b>	<b>Probable Causes</b>	<b>Recommended Action</b>
	<b>B.</b> The temperature setpoint has already been reached.	<b>B.</b> Confirm that the temperature setpoint is greater than the current steam room temperature. Increase the temperature setpoint if desired.
	<b>C.</b> Inadequate power is being supplied to the steam generator (green status light on the steam generator is off).	<b>C1.</b> Provide adequate power to the steam generator. Use the provided test kit, if necessary, to ensure that the steam generator is working properly.
		<b>C2.</b> Contact the Customer Care Center using the information provided on the back page of this manual.
	<b>D.</b> Steam line or steam head is blocked.	<b>D.</b> Check the steam line and steam head for blockage. Remove any blockage.
	<b>E.</b> Steam generator is damaged.	<b>E.</b> Contact the Customer Care Center using the information provided on the back page of this manual.
<b>7.</b> Cannot set the clock or change the settings.	<b>A.</b> The "Power" button has been turned off.	<b>A.</b> Press the "Power" button on the user interface.
<b>8.</b> Steam stopped.	<b>A.</b> An error has occurred.	<b>A.</b> Check the user interface for error messages. If an error message appears, troubleshoot the appropriate error message listed above.
	<b>B.</b> The session time limit or the temperature setpoint was met.	<b>B.</b> Restart the session timer or increase the temperature setpoint to start another steam cycle.
	<b>C.</b> The power provided to the steam generator was intermittent or stopped.	<b>C.</b> Provide constant power to the steam generator.
<b>9.</b> Display reads "run" "PCLn."	<b>A.</b> The power clean function must be activated to maintain the steam generator system.	<b>A.</b> Press and hold the "Timer," "Up," and "Down" buttons for 5 seconds to activate the power clean cycle. See the instructions in this guide.

# Guide d'installation

## Kit de commande de vapeur

### Outils et matériel



### Avant de commencer



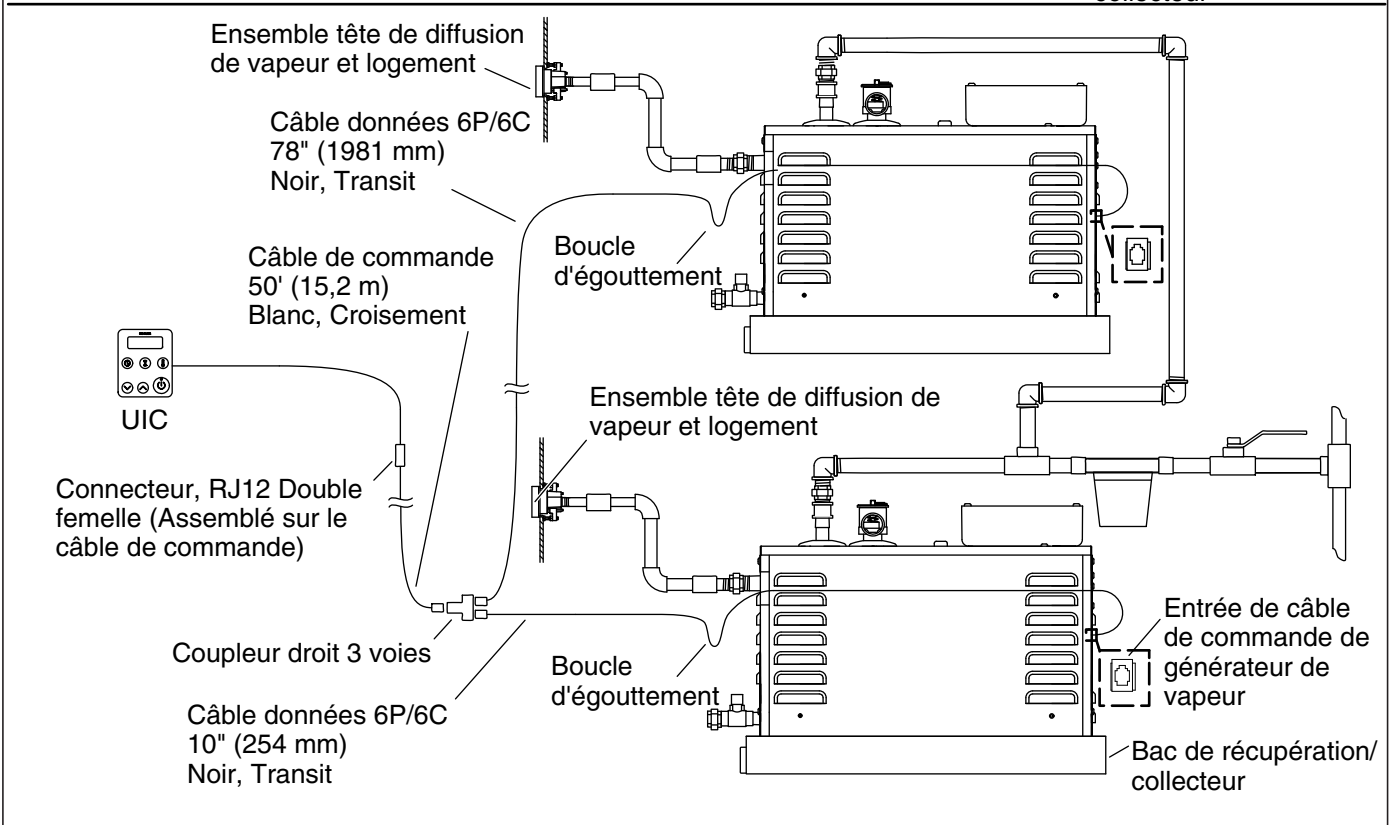
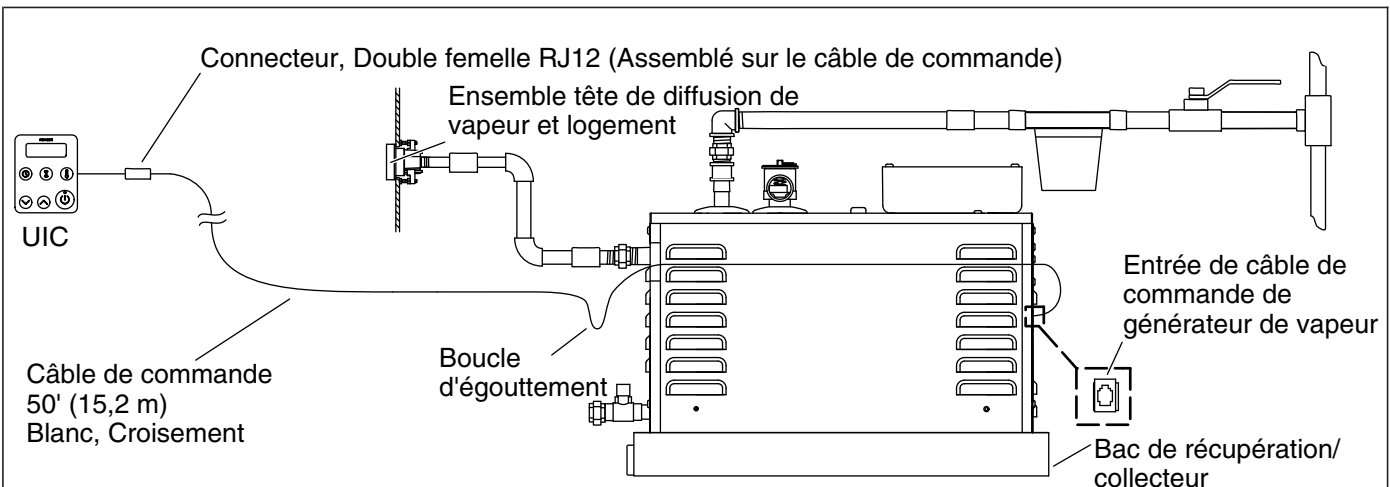
**ATTENTION: Risque d'électrocution.** Déconnecter l'alimentation électrique pour la zone de travail au niveau du disjoncteur principal avant d'exécuter ces étapes d'installation.



**ATTENTION: Risque de réaction allergique.** Avant d'ajouter des huiles, des traitements aromathérapeutiques ou des produits de soins de la peau au puits d'aromathérapie, s'assurer qu'ils ne causeront pas de réaction allergique pour l'utilisateur.

**AVIS:** Utiliser cette unité uniquement pour l'usage pour lequel elle est destinée, tel que spécifié dans ce manuel. **NE PAS** utiliser de dispositifs accessoires non recommandés par Kohler Co.

- Inspecter le produit pour y rechercher des dommages d'expédition. Ne pas installer l'unité si elle est endommagée. Appeler le service après-vente de Kohler Co. en utilisant les renseignements fournis au dos de ce guide.
- Respecter tous les codes de plomberie et électriques locaux. Tout le travail électrique doit être effectué par un électricien qualifié.
- Déconnecter toute l'alimentation électrique avant d'effectuer des connexions électriques.



## Options de disposition

### 1. Étudier la disposition



**ATTENTION: Risque de blessures.** Ne pas installer l'interface utilisateur de commande de vapeur à l'extérieur de l'enceinte de vapeur. L'interface utilisateur doit être installée dans l'enceinte afin de permettre aux capteurs de régler la température et de commander le débit de vapeur.



**ATTENTION: Risque d'ébouillantage ou de brûlures.** Ne pas positionner la tête de diffusion de vapeur à proximité d'un siège ou d'un banc, étant donné que la tête de diffusion de vapeur est chaude pendant le fonctionnement et qu'elle pourrait ébouillanter ou brûler l'utilisateur.

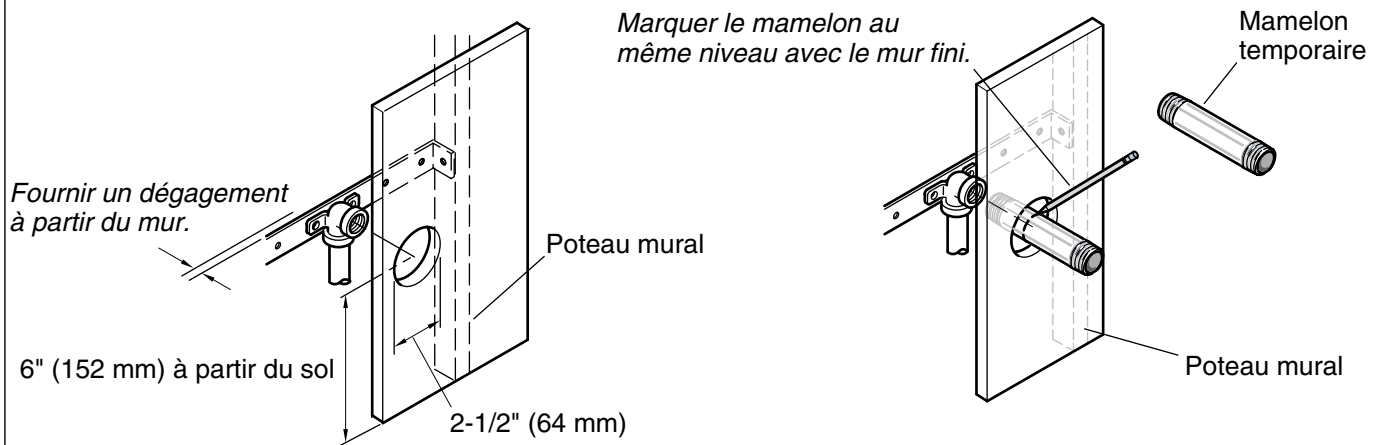
**AVIS:** L'interface utilisateur doit être montée sur le mur à l'opposé de la tête de diffusion de vapeur. La tête de diffusion de vapeur doit être placée aussi loin que possible de la zone où l'on s'assoit.

**AVIS:** Positionner la tête de diffusion de vapeur à 6 po (152 mm) au-dessus du sol et à un minimum de 4-1/2 po (114 mm) du seuil.

### **Étudier la disposition (cont.)**

Étudier la disposition déterminée pendant l'installation du générateur de vapeur. Se reporter au guide d'installation du générateur de vapeur pour obtenir de l'information supplémentaire.

- Installer l'interface utilisateur de commande de vapeur à l'intérieur de l'enceinte de vapeur.
- Déterminer l'emplacement ou les emplacements des têtes de diffusion de vapeur (pour des installations de générateurs de vapeur doubles).
- S'assurer du dégagement entre la conduite de vapeur et toutes les surfaces alentour.

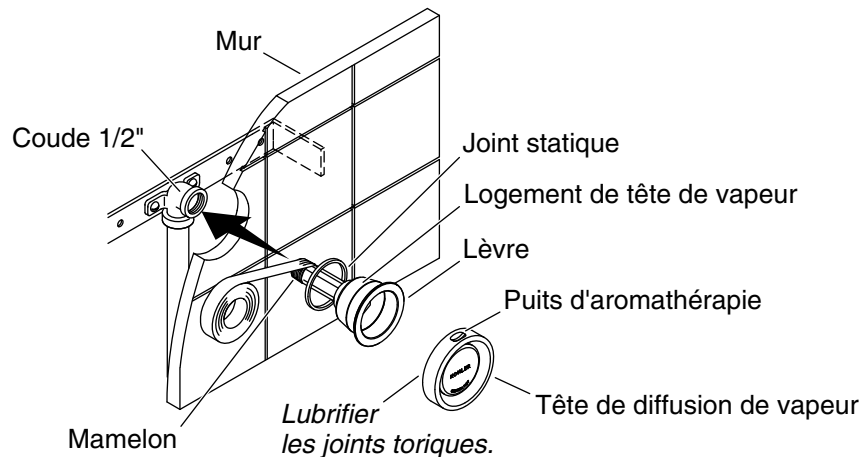


## 2. Préparer le site

**REMARQUE:** Cette section continue l'installation décrite dans les instructions d'installation du générateur de vapeur. Se reporter aux instructions d'installation du générateur de vapeur pour obtenir de l'information supplémentaire, le cas échéant.

**REMARQUE:** Si deux têtes de diffusion de vapeur sont utilisées, il doit y avoir un espace de 12-1/2 po (318 mm) au moins entre le centre de chaque trou. Les têtes de diffusion de vapeur n'ont pas besoin d'être placées sur le même mur. Installer deux têtes de diffusion de vapeur sur des murs différents pour améliorer la distribution de vapeur.

- Installer le mur fini.
- Percer ou couper un trou de 2-1/2 po (64 mm) centré autour du coude dans le mur.
- Marquer le mamelon de tuyau temporaire et la surface du mur fini.
- Retirer le mamelon de la conduite temporaire du coude.

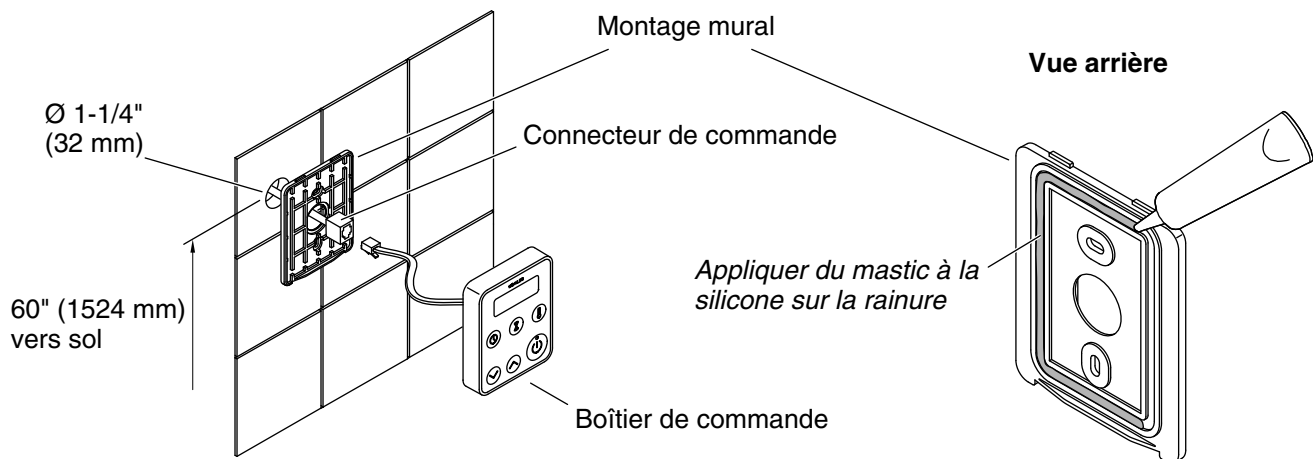


### 3. Installer la ou les têtes de diffusion de vapeur

**AVIS:** Ne pas obstruer la tête de diffusion de vapeur avec des robinets d'arrêt, des bouchons ou des capuchons.

- Soustraire 1-1/4 po (32 mm) de la longueur marquée pour déterminer la taille appropriée du mamelon.
- Choisir une longueur de mamelon comprise dans les 1/8 po (3 mm) de la taille de mamelon appropriée.
- Appliquer du mastic pour filets sur une extrémité du mamelon, et enfiler cette extrémité dans le logement de la tête de diffusion de vapeur jusqu'à ce qu'elle soit serrée à la main.
- Appliquer du mastic pour filets sur l'autre extrémité du mamelon.
- Placer le joint statique autour du logement de la tête de diffusion de vapeur de manière à ce qu'il soit assis entre le mur fini et la bride du logement de la tête de diffusion de vapeur.
- Utiliser une douille de 1 po pour enfiler le logement de la tête de diffusion de vapeur dans le coude se trouvant dans le mur.
- S'assurer que le joint statique est comprimé et qu'un bon joint a été obtenu autour des bords du logement de la tête de diffusion de vapeur.
- Utiliser un mastic approprié pour obtenir un joint étanche à l'eau, si nécessaire.
- Appliquer du lubrifiant à la silicone sur les joints toriques de la tête de diffusion de vapeur.
- Enfoncer avec précaution l'ensemble de tête de diffusion de vapeur dans le logement de la tête de diffusion de vapeur avec l'aromathérapie bien placée sur le dessus de la tête de diffusion de vapeur.





#### 4. Installer la commande de vapeur



**AVERTISSEMENT: Risque de blessures.** Ne pas installer l'interface utilisateur de commande de vapeur à l'extérieur de l'enceinte de vapeur. L'interface utilisateur doit être installée dans l'enceinte afin de permettre aux capteurs de régler la température et de commander le débit de vapeur.

- S'assurer que l'alimentation électrique est coupée au niveau du panneau du disjoncteur principal avant de continuer.
- Placer le boîtier de commande sur le mur à 60 po (1524 mm) du plancher.
- Percer un trou de 1-1/4 po (32 mm) au niveau de l'emplacement sélectionné.
- Centrer le montage mural sur le trou de 1-1/4 po (32 mm) et marquer les emplacements des trous de vis.
- Utiliser une mèche de 1/4 po pour percer des trous pour les dispositifs d'ancrage aux emplacements marqués.
- Insérer les dispositifs d'ancrage au mur dans les trous.
- Appliquer un boudin continu de mastic à la silicone à 100% dans la rainure sur le côté arrière du montage mural et fixer le montage mural avec les vis fournies.

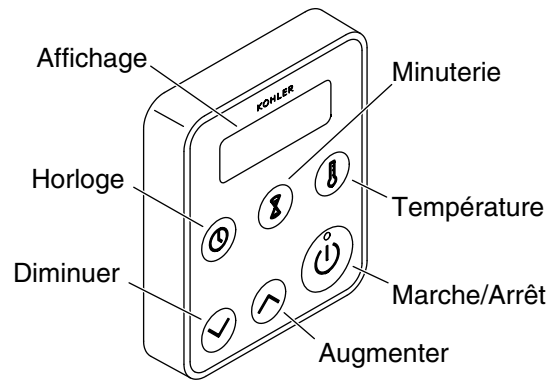
**AVIS:** Ne pas pincer, clouer, biseauter ou utiliser une force non nécessaire lors de la manipulation du connecteur de commande et du fil du boîtier de commande. Tous dommages peuvent entraîner une défaillance du kit de commande. Si le boîtier de commande n'est pas installé immédiatement, protéger le connecteur de commande avec du ruban ou un autre matériau de blindage.

**AVIS:** Lors de l'installation du kit de commande, laisser de l'espace pour une boucle d'égouttement dans le câble de commande. La boucle d'égouttement dissuade l'humidité de suivre le câble de commande vers le générateur de vapeur.

- Tirer sur le connecteur et le câble de commande de vapeur pour le retirer du générateur de vapeur à travers le trou percé.
- Appliquer de la graisse diélectrique dans le connecteur de commande.
- Brancher avec précaution le connecteur de commande sur le fil du boîtier de commande en utilisant le connecteur femelle à deux têtes (fourni).
- Enclencher le boîtier de commande sur le montage mural.
- Restaurer l'alimentation au niveau du panneau du disjoncteur principal.
- Ouvrir l'eau et l'alimentation électrique vers le générateur de vapeur.
- Tester le boîtier de commande pour assurer qu'il fonctionne correctement. Se référer à la section « Fonctionnement de la commande de vapeur ».

### **Installer la commande de vapeur (cont.)**

- Laisser prendre le mastic pendant 24 heures avant utilisation.



## 5. Faire fonctionner la commande de vapeur

### Fonctionnement de la commande de vapeur

**REMARQUE:** L'horloge est toujours affichée lorsque le générateur de vapeur est utilisé.

- Appuyer sur le bouton « Marche/Arrêt » pour faire démarrer le générateur de vapeur.
- Lorsque l'on appuie sur le bouton « Marche/Arrêt », le voyant vert s'allume sur le bouton. Le voyant reste allumé jusqu'à ce que l'unité soit éteinte. L'affichage indique « On » pendant les 3 premières minutes de fonctionnement si les réglages ne sont pas modifiés.
- Appuyer de nouveau sur le bouton « Marche/Arrêt » pour arrêter le générateur de vapeur. Le voyant vert du bouton « Marche/Arrêt » s'éteint et l'affichage indique « Off » pendant 5 secondes, puis retourne à l'affichage de l'horloge.

**REMARQUE:** Lorsque l'unité est mise en marche, les réglages de la durée et de la température de vapeur seront ceux des réglages de l'utilisateur précédent. Une nouvelle unité de commande de vapeur est fournie pré-réglée pour fonctionner à 113°F (45°C) pendant 15 minutes.

### Fonctionnement de la commande de vapeur

**REMARQUE:** S'assurer que l'unité de commande de vapeur est en marche avant d'effectuer l'un des réglages suivants.

- Appuyer sur le bouton « Température » et l'affichage fait clignoter le réglage de température précédent. Pour ajuster la température de la chambre de vapeur, appuyer sur les boutons « Augmenter » ou « Diminuer » pour élever ou abaisser la température de la chambre de vapeur. La température maximale permise est de 125°F (52°C) et la température de fonctionnement minimum est de 90°F (32°C).
- Au bout de 5 secondes, le clignotement s'arrête et la température de la chambre de vapeur est affichée au fur et à mesure des changements de la température cible.
- Appuyer sur le bouton « Minuterie » et l'affichage fait clignoter le réglage du temps de fonctionnement précédent. Appuyer sur les boutons « Augmenter » ou « Diminuer » pour régler la configuration de minuterie plus haut ou plus bas. Le clignotement s'arrête au bout de 5 secondes et la configuration de la minuterie s'affiche. Si l'on n'appuie pas sur les boutons « Augmenter » ou « Diminuer », la minuterie continue à compter à rebours. Le temps de fonctionnement minimum est 10 minutes, et le temps maximum permis est 20 minutes.
- Appuyer sur le bouton « Horloge » et l'affichage fait clignoter l'heure du jour configurée actuellement. Appuyer sur les boutons « Augmenter » ou « Diminuer » pour régler l'heure du jour. Le clignotement s'arrête au bout de 5 secondes et l'heure configurée s'affiche.
- Appuyer sur le bouton « Marche/Arrêt » pour arrêter le générateur de vapeur et quitter la chambre de vapeur n'importe quand. L'affichage indique « Off » pendant 5 secondes puis se met à défaut à l'heure de l'horloge configurée.
- Modifier la lecture de la température entre les degrés Fahrenheit et Celsius en appuyant et en continuant à appuyer sur le bouton « Température » pendant 3 secondes.

## Faire fonctionner la commande de vapeur (cont.)

### Fonction de nettoyage sous pression



**AVERTISSEMENT: Risque de blessures.** La température de la chambre de vapeur sera extrêmement élevée lorsque la fonction de nettoyage sous pression est activée. **Ne pas** entrer dans la chambre de vapeur pendant que la fonction de nettoyage sous pression est en cours.

**IMPORTANT!** L'utilisateur recevra automatiquement l'instruction d'activer la fonction de nettoyage sous pression au bout de 600 minutes d'utilisation du générateur de vapeur. L'affichage indique "run" "PCLn". Le générateur de vapeur peut être utilisé trois fois après l'affichage du message "run" "PLCn", puis le générateur de vapeur ne fonctionnera pas avant que le cycle de nettoyage sous pression ne soit terminé.

**REMARQUE:** De l'eau s'écoule généralement de la tête de diffusion de vapeur lorsque la fonction de nettoyage sous pression est activée. Cela est un fonctionnement normal pendant le cycle de nettoyage sous pression.

**REMARQUE:** Le cycle de nettoyage sous pression doit être entièrement terminé avant que le fonctionnement normal du générateur de vapeur puisse recommencer.

- Pour activer la fonction de nettoyage sous pression, appuyer simultanément sur les boutons « Minuterie, » « Augmenter » et « Diminuer » et continuer à appuyer pendant 5 secondes. L'affichage indique "PCLn," "On," puis compte le temps du cycle de la fonction de nettoyage sous pression à rebours jusqu'à ce que le processus de nettoyage soit terminé. Le cycle de nettoyage peut durer jusqu'à 45 minutes et s'arrête automatiquement lorsqu'il est terminé.

**REMARQUE:** Si l'alimentation électrique vers le générateur de vapeur est interrompue pendant la fonction de nettoyage sous pression, le cycle de nettoyage sous pression doit être redémarré une fois que l'alimentation électrique a été restaurée.

## Entretien et nettoyage

Pour obtenir les meilleurs résultats possibles, prendre ce qui suit en considération lors de l'entretien de votre produit KOHLER :

- Toujours tester la solution de nettoyage sur une surface non visible avant de l'appliquer sur l'ensemble de la surface.
- Essuyer les surfaces et rincer complètement avec de l'eau immédiatement après l'application du nettoyant. Rincer et sécher tout éclaboussement sur les surfaces avoisinantes.
- Ne pas laisser les nettoyeurs tremper sur les surfaces.
- Utiliser une éponge ou un chiffon doux et humide. Ne jamais utiliser de matériau abrasif comme une brosse ou une éponge à récuser pour nettoyer les surfaces.

Pour obtenir des renseignements détaillés sur le nettoyage et les produits à considérer, consulter le site [www.kohler.com/clean](http://www.kohler.com/clean). Pour commander des renseignements sur le nettoyage, appeler le 1-800-456-4537.

## Dépannage

**REMARQUE:** Les étapes de dépannage ci-dessous s'appliquent principalement à la commande de vapeur. Pour des problèmes de générateur de vapeur, se reporter à la section « Dépannage » dans les instructions d'installation du générateur de vapeur.

**REMARQUE:** Pour tout renseignement sur les pièces de rechange, visiter la page du produit sur le site [kohler.com/serviceparts](http://kohler.com/serviceparts).

Ce guide de dépannage est seulement destiné à fournir une aide d'ordre général. Pour des problèmes ou questions concernant l'entretien et l'installation, composer le 1-800-4KOHLER.

<b>Dépannage (cont.)</b>		
<b>Symptômes</b>	<b>Causes probables</b>	<b>Action recommandée</b>
1. L'erreur 1, 2, 3, 4, 7, ou 8 est affichée.	A. Un bouton est coincé sur l'interface utilisateur.	A. Couper l'alimentation électrique vers le générateur de vapeur et essayer de libérer le bouton coincé. Restaurer l'alimentation électrique pour le générateur de vapeur.
	B. L'interface utilisateur est endommagée.	B. Appeler le service après-vente en utilisant les renseignements fournis sur la page arrière de ce manuel.
2. L'erreur 5 est affichée.	A. Le niveau d'eau du réservoir est trop bas (le voyant d'état vert sur le générateur de vapeur est allumé).	A. Inspecter la grille d'entrée d'eau et la nettoyer si nécessaire. S'assurer que la vanne d'arrivée d'eau est en marche et que de l'eau est fournie au générateur de vapeur.
	B. La limite de température du réservoir est dépassée (le voyant d'état vert du générateur de vapeur est allumé).	B. Appeler le service après-vente en utilisant les informations fournies sur la page arrière de ce manuel.
	C. Les composants internes du générateur de vapeur ne fonctionnent pas correctement.	C. S'adresser au service après-vente en utilisant les renseignements fournis sur la page arrière de ce manuel.
3. L'erreur 6 est affichée.	A. L'interface utilisateur est installée trop près de la tête de diffusion de vapeur.	A. Déplacer l'interface utilisateur pour la mettre loin de la tête de diffusion de vapeur.
4. L'affichage est vide.	A. Une alimentation non adéquate est fournie au générateur de vapeur (le voyant d'état vert du générateur de vapeur est éteint).	A1. Fournir une alimentation adéquate au générateur de vapeur. Si nécessaire, utiliser le kit d'essai fourni pour assurer que le générateur de vapeur fonctionne correctement.
		A2. S'adresser au service après-vente en utilisant les renseignements fournis sur la page arrière de ce manuel.
	B. L'interface utilisateur ne reçoit pas d'alimentation en provenance du générateur de vapeur (le voyant d'état vert du générateur de vapeur est allumé).	B. Utiliser le kit d'essai et les instructions fournis pour identifier la source du problème.
	C. L'interface utilisateur est endommagée (le voyant d'état vert du générateur de vapeur est allumé).	C. S'adresser au service après-vente en utilisant les renseignements fournis sur la page arrière de ce manuel.
5. De l'eau s'écoule de la tête de diffusion de vapeur.	A. Fonctionnement normal.	A. Une petite quantité d'eau s'écoule généralement de la tête de diffusion de vapeur juste avant, pendant et après l'utilisation du générateur de vapeur, et également lorsque la fonction de nettoyage sous pression est activée.
	B. Les conduites d'arrivée d'eau sont connectées incorrectement.	B. Examiner le guide d'installation du générateur de vapeur et réinstaller les conduites d'arrivée d'eau aux emplacements appropriés.

<b>Dépannage (cont.)</b>		
<b>Symptômes</b>	<b>Causes probables</b>	<b>Action recommandée</b>
	C. Les composants internes du générateur de vapeur ne fonctionnent pas correctement.	C1. Couper l'arrivée d'eau vers le générateur de vapeur. Si possible, vidanger le réservoir. Ouvrir lentement la vanne d'arrivée d'eau pour remplir le générateur de vapeur. C2. S'adresser au service après-vente en utilisant les renseignements fournis sur la page arrière de ce manuel.
6. Aucune vapeur au bout de 5 minutes après avoir mis le générateur de vapeur en marche.	A. Une erreur s'est produite.	A. Examiner l'interface utilisateur pour y rechercher des messages d'erreur. Si un message d'erreur apparaît, faire un dépannage du message d'erreur approprié de la liste ci-dessus.
	B. Le point de consigne de température a déjà été atteint.	B. Vérifier que le point de consigne de la température est supérieur à la température actuelle de la chambre de vapeur. Augmenter le point de consigne de la température si souhaité.
	C. Une alimentation non adéquate est fournie au générateur de vapeur (le voyant d'état vert du générateur de vapeur est éteint).	C1. Fournir une alimentation adéquate au générateur de vapeur. Utiliser le kit d'essai fourni, si nécessaire, pour assurer que le générateur de vapeur fonctionne correctement.
		C2. S'adresser au service après-vente en utilisant les renseignements fournis sur la page arrière de ce manuel.
	D. La conduite de vapeur ou la tête de diffusion de vapeur est bloquée.	D. Examiner la conduite de vapeur et la tête de diffusion de vapeur pour y rechercher une obstruction. Éliminer toute obstruction.
E. Le générateur de vapeur est endommagé.	E. S'adresser au service après-vente en utilisant les renseignements fournis sur la page arrière de ce manuel.	
7. Impossible de voir l'horloge ou le changement de réglages.	A. Le bouton « Marche/Arrêt » a été mis en position d'arrêt.	A. Appuyer sur le bouton « Marche/Arrêt » sur l'interface utilisateur.
8. La vapeur s'est arrêtée.	A. Une erreur s'est produite.	A. Examiner l'interface utilisateur pour y rechercher des messages d'erreur. Si un message d'erreur apparaît, faire un dépannage du message d'erreur approprié de la liste ci-dessus.
	B. La limite du temps de la session est atteinte ou le point de consigne de la température est atteint.	B. Redémarrer la minuterie de la session ou augmenter le point de consigne de température pour démarrer un autre cycle de vapeur.
	C. L'alimentation fournie au générateur de vapeur était intermittente ou a été arrêtée.	C. Fournir une alimentation constante au générateur de vapeur.

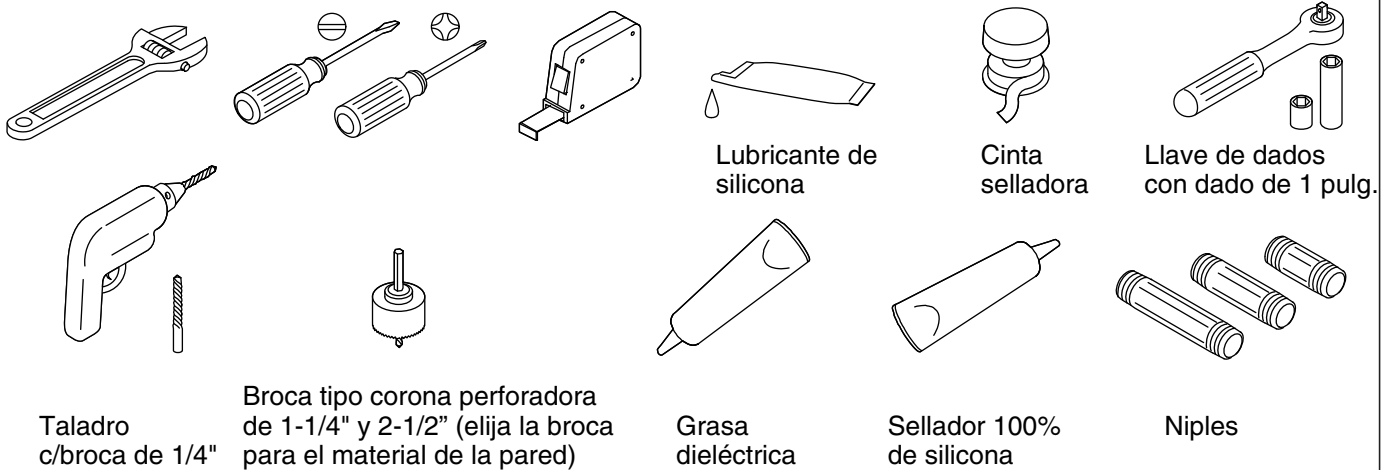
## Dépannage (cont.)

Symptômes	Causes probables	Action recommandée
9. L'affichage indique "run" "PCLn."	A. La fonction de nettoyage sous pression doit être activée pour maintenir le système de générateur de vapeur.	A. Appuyer sur les boutons « Minuterie, » « Vers le haut, » et « Vers le bas » pendant 5 secondes pour activer le cycle de nettoyage sous pression. Consulter les instructions de ce guide.

# Guía de instalación

## Kit de control de vapor

### Herramientas y materiales



### Antes de comenzar



**PRECAUCIÓN: Riesgo de electrocución.** Antes de realizar estos pasos de instalación, desconecte el suministro eléctrico al área de trabajo en el panel principal de interruptores de circuito.

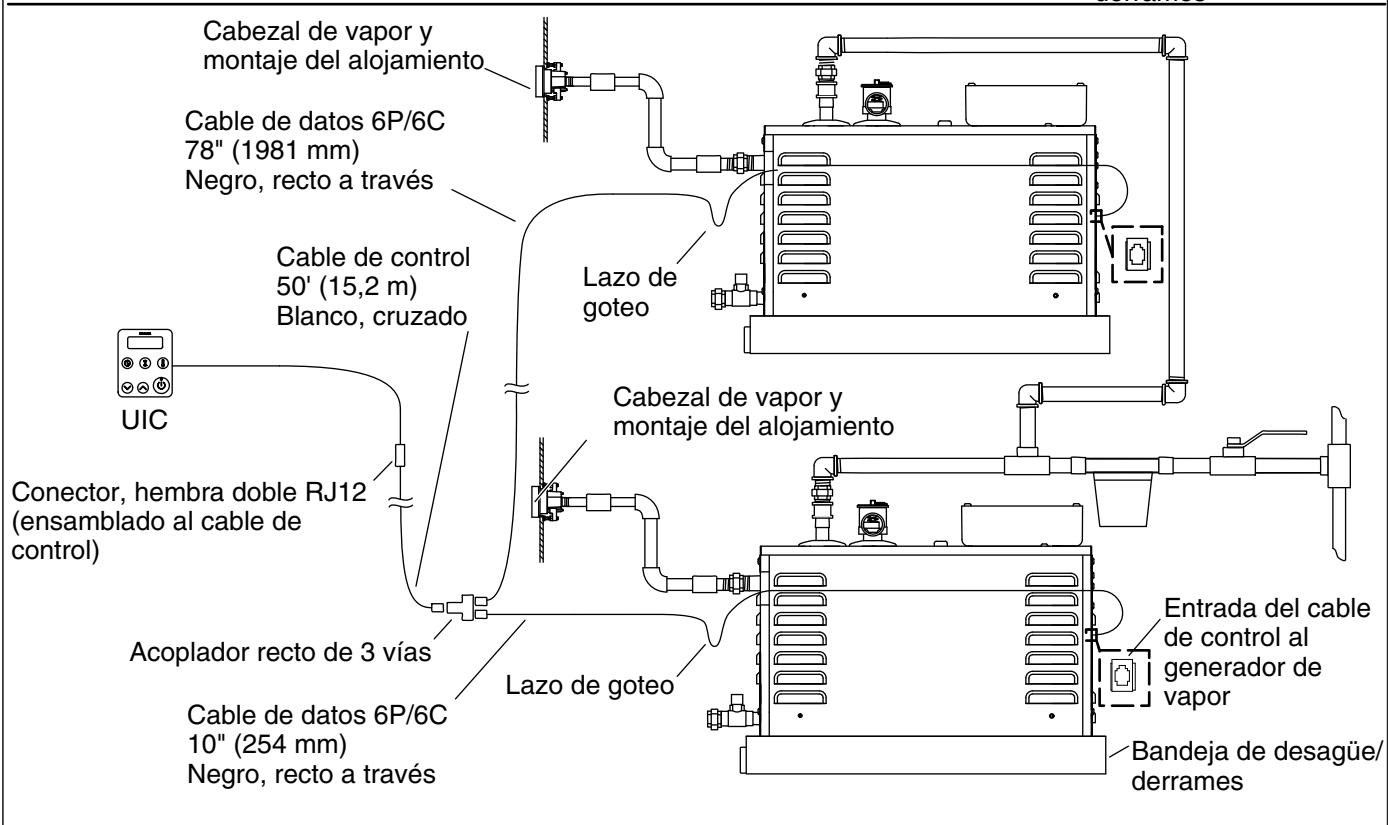
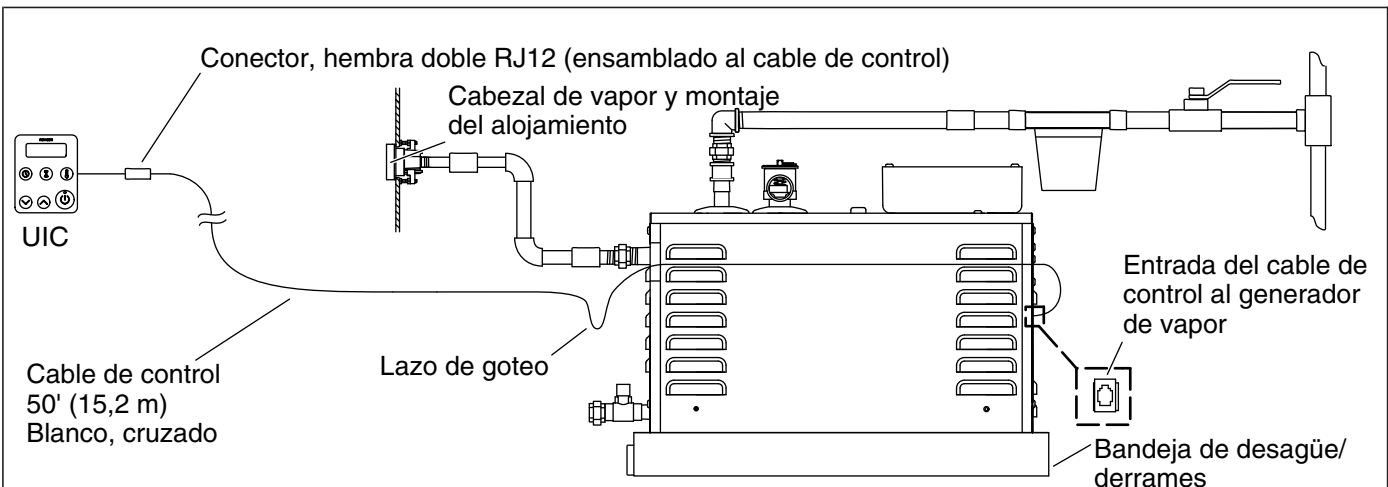


**PRECAUCIÓN: Riesgo de reacción alérgica.** Antes de agregar aceites, terapias aromáticas o productos para la piel en el depósito para aromaterapia, asegúrese de que no causen reacciones alérgicas al usuario.

**AVISO:** Use esta unidad únicamente con el fin para el que ha sido fabricada, tal como se especifica en este manual. **NO** use accesorios que no recomiende Kohler Co.

- Revise el producto en busca de daños durante el transporte. No instale la unidad si está dañada. Comuníquese con el Centro de Atención al Cliente de Kohler Co. mediante la información de la página posterior de este manual.
- Cumpla todos los códigos locales de electricidad y de plomería. Todo el trabajo eléctrico debe hacerlo un electricista capacitado.
- Desconecte todo el suministro eléctrico antes de hacer conexiones eléctricas.





## Opciones de distribución

### 1. Revise la distribución



**PRECAUCIÓN: Riesgo de lesiones personales.** No instale la interface del usuario para control de vapor fuera del recinto de vapor. La interface del usuario debe instalarse dentro del recinto para que los sensores regulen la temperatura y controlen el flujo de vapor.



**PRECAUCIÓN: Riesgo de escaldaduras o quemaduras.** No ubique el cabezal de vapor cerca de un asiento o de una banca, ya que el cabezal de vapor está caliente cuando está funcionando y puede quemar o escaldar al usuario.

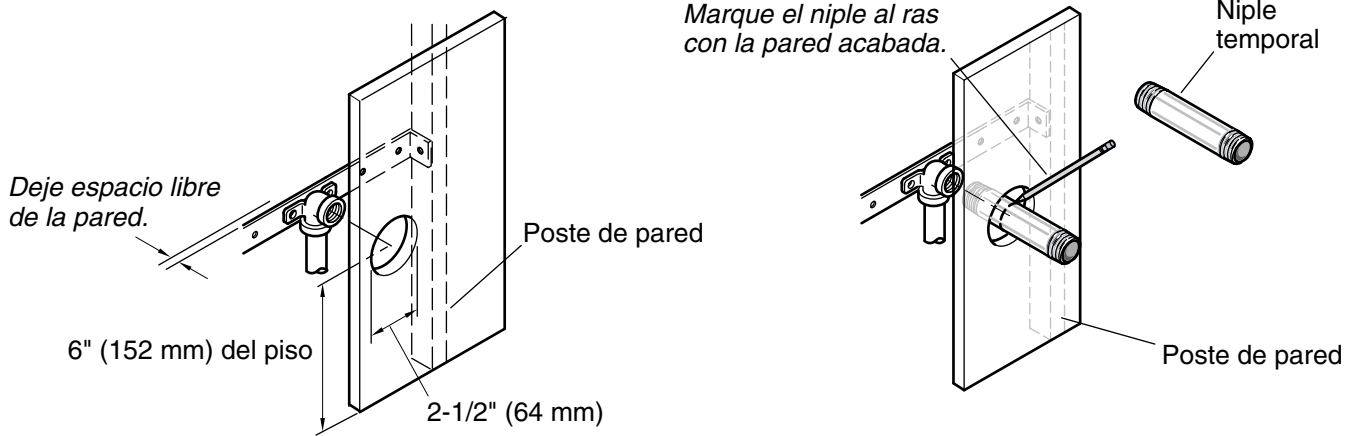
**AVISO:** La interface del usuario debe instalarse en la pared opuesta al cabezal de vapor. El cabezal de vapor debe ubicarse lo más lejos posible del área para sentarse.

**AVISO:** Coloque el cabezal de vapor 6" (152 mm) arriba del piso y a un mínimo de 4-1/2" (114 mm) del umbral.

### **Revise la distribución (cont.)**

Revise la distribución que haya sido determinada durante la instalación del generador de vapor. Consulte más información en la guía de instalación del generador de vapor.

- Instale la interface del usuario para control de vapor dentro del recinto de vapor.
- Determine la ubicación del cabezal de vapor o de los cabezales de vapor (en el caso de instalaciones de generadores de vapor dobles).
- Asegúrese de que haya espacio libre entre la línea de vapor y todas las superficies alrededor.

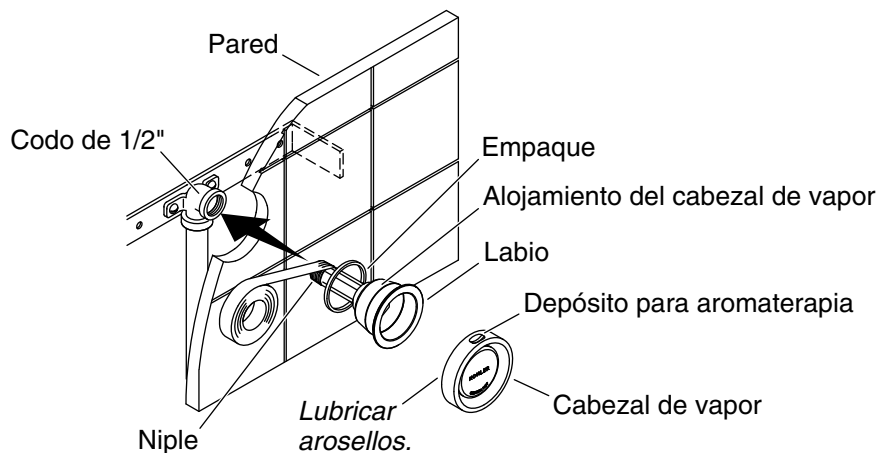


## 2. Prepare el sitio

**NOTA:** Esta sección continúa la instalación descrita en las instrucciones de instalación del generador de vapor. Cuando sea necesario, consulte más información en las instrucciones de instalación del generador de vapor.

**NOTA:** Si se usan dos cabezales de vapor, debe haber una distancia de por lo menos 12-1/2" (318 mm) entre los centros de los orificios. No es necesario que los cabezales de vapor estén ubicados en la misma pared. Instale 2 cabezales de vapor en distintas paredes para mejorar la distribución del vapor.

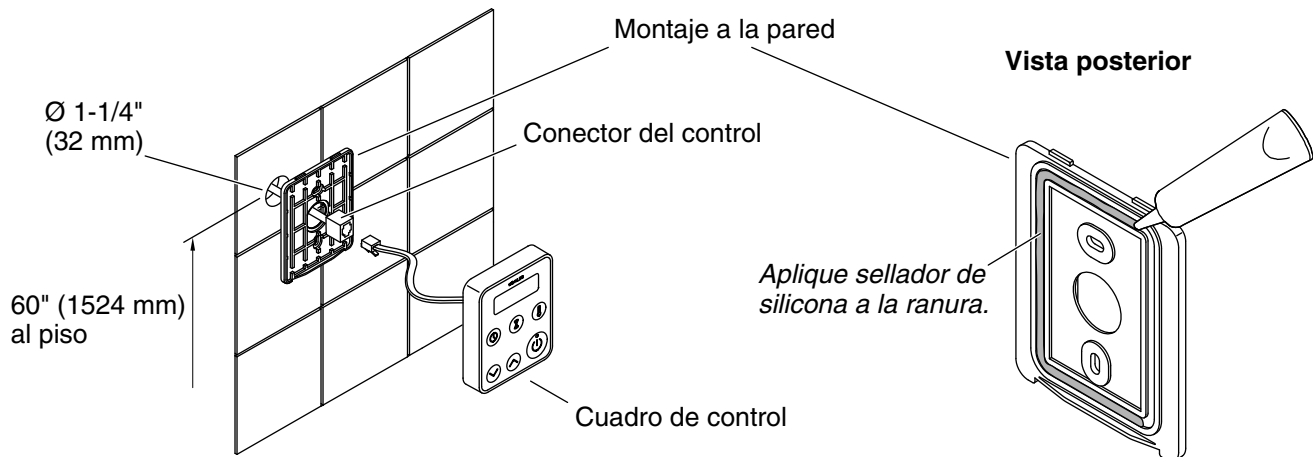
- Instale el acabado de la pared.
- Taladre o corte un orificio de 2-1/2" (64 mm) centrado alrededor del codo en la pared.
- Marque el niple temporal en la pared acabada.
- Retire el niple temporal del codo.



### 3. Instale los cabezales de vapor

**AVISO:** No obstruya el cabezal de vapor con llaves de paso, tapones o tapas.

- Reste 1-1/4" (32 mm) de la longitud marcada para determinar el tamaño adecuado del niple.
- Escoja un niple con una longitud a más o menos 1/8" (3 mm) del tamaño apropiado.
- Aplique sellador de roscas en un extremo del niple y enrosque ese extremo en el alojamiento del cabezal de vapor hasta que quede apretado con la fuerza de la mano.
- Aplique sellador de roscas al otro extremo del niple.
- Coloque el empaque alrededor del alojamiento del cabezal de vapor de tal forma que quede entre la pared acabada y la brida del alojamiento del cabezal de vapor.
- Use un dado de 1 pulg. para enroscar el montaje de alojamiento del cabezal de vapor en el codo en la pared.
- Asegúrese de que el empaque esté comprimido y de que se haya logrado un buen sello alrededor de los bordes del alojamiento del cabezal de vapor.
- De ser necesario, use un sellador apropiado para que el sello sea hermético.
- Aplique lubricante de silicona a los arosellos del cabezal de vapor.
- Oprima con cuidado el montaje del cabezal de vapor en su alojamiento, con el depósito para aromaterapia en la parte superior del cabezal de vapor.



#### 4. Instale el control de vapor



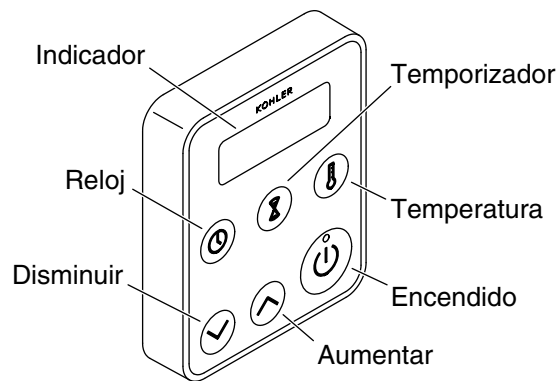
**ADVERTENCIA: Riesgo de lesiones personales.** No instale la interface del usuario para control de vapor fuera del recinto de vapor. La interface del usuario debe ser instalada dentro del recinto para que los sensores regulen la temperatura y controlen el flujo de vapor.

- Antes de seguir adelante, asegúrese de apagar la corriente eléctrica en el panel principal de interruptores de circuito.
- Ubique el cuadro de control en la pared a 60" (1524 mm) del piso.
- Taladre un orificio de 1-1/4" (32 mm) en el lugar seleccionado.
- Centre el montaje a la pared en el orificio de 1-1/4" (32 mm), y marque los lugares de los orificios para tornillos.
- Con una broca de 1/4pulg. taladre orificios para los anclajes de pared en los lugares marcados.
- Introduzca los anclajes de pared en los orificios.
- Aplique un hilo continuo de sellador 100 % de silicona en la ranura en el lado posterior del montaje a la pared, y fije el montaje a la pared con los tornillos que se incluyen.

**AVISO:** No pellizque, clave, atore, ni use demasiada fuerza al maniobrar el conector del control y el cable del cuadro de control. Cualquier daño podría ocasionar una falla en el kit de control. Si el cuadro de control no se va a instalar de inmediato, proteja el conector del control con cinta de enmascarar o con algún otro material protector.

**AVISO:** Al instalar el kit de control, deje lugar en el cable de control para un lazo de goteo. El lazo de goteo evita que la humedad siga el cable de control hasta el generador de vapor.

- Pase el conector y el cable del control de vapor del generador de vapor a través del orificio taladrado.
- Aplique grasa dieléctrica en el conector del control.
- Enchufe con cuidado el conector del control al cable del cuadro de control con el conector hembra de doble extremo (se incluye).
- Meta a presión el cuadro de control en el montaje a la pared.
- Restaure el suministro eléctrico al panel principal de interruptores de circuito.
- Abra el suministro de agua y encienda la corriente al generador de vapor.
- Pruebe el cuadro de control para asegurarse de que esté funcionando correctamente. Consulte la sección "Haga funcionar el control de vapor".
- Antes de usar, deje que el sellador cure durante 24 horas.



## 5. Haga funcionar el control de vapor

### Funcionamiento del control de vapor

**NOTA:** El reloj siempre aparece cuando el generador de vapor no está en uso.

- Oprima el botón de "encendido" para activar el generador de vapor.
- Cuando se oprime el botón de "encendido" se ilumina la luz verde en el botón. La luz permanece iluminada hasta que se apaga la unidad. En el indicador aparece "On" durante los primeros 3 minutos de funcionamiento si no se han cambiado las selecciones.
- Oprima el botón de "encendido" de nuevo para apagar el generador de vapor. Se apaga la luz verde en el botón de encendido y en el indicador aparece "Off" durante 5 segundos, y luego vuelve a aparecer el reloj.

**NOTA:** Cuando se enciende la unidad, las selecciones de duración y temperatura del vapor serán las selecciones del usuario anterior. Las unidades de control de vapor nuevas vienen establecidas con anticipación a 113°F (45°C) para 15 minutos.

### Funcionamiento del control de vapor

**NOTA:** Asegúrese de que la unidad de control de vapor esté encendida antes de hacer cualquiera de los siguientes ajustes.

- Oprima el botón de "temperatura", y en el indicador centellea la selección previa de temperatura. Para ajustar la temperatura del cuarto de vapor, oprima los botones para "aumentar" o para "disminuir" la temperatura del cuarto de vapor. La temperatura máxima permisible es de 125°F (52°C) y la temperatura mínima de funcionamiento es de 90°F (32°C).
- Después de 5 segundos, la luz centelleante se apaga y la temperatura del cuarto aparece a medida que cambia a la temperatura meta.
- Oprima el botón de "temporizador", y en el indicador centellea la selección previa. Oprima los botones de "aumentar" o de "disminuir" para ajustar la selección de tiempo. Después de 5 segundos, la luz centelleante se apaga y aparece la selección de tiempo. Si no se oprimen los botones de "aumentar" o "disminuir", el tiempo continúa la cuenta regresiva. El mínimo tiempo de funcionamiento es 10 minutos, y el máximo tiempo permitido es 20 minutos.
- Oprima el botón de "reloj", y en el indicador centellea la hora actual. Oprima los botones de "aumentar" o de "disminuir" para ajustar la hora. Después de 5 segundos, la luz centelleante se apaga y aparece la hora.
- Oprima el botón de "encendido" para apagar el generador de vapor en cualquier momento y salir del cuarto de vapor. En el indicador aparece "Off" durante 5 segundos y luego vuelve por diseño a la hora.
- Para cambiar la indicación de temperatura entre grados Fahrenheit y Celsius oprima y sostenga oprimido el botón de "temperatura" durante 3 segundos.

### Función de autolimpieza

## Haga funcionar el control de vapor (cont.)



**ADVERTENCIA: Riesgo de lesiones personales.** La temperatura del cuarto de vapor será demasiado alta cuando se activa la función de autolimpieza. **No** entre al cuarto de vapor mientras la función de autolimpieza esté activada.

**¡IMPORTANTE!** El usuario recibe un aviso automático para que active la función de autolimpieza después de 600 minutos de uso del generador de vapor. En el indicador aparece "run" "PCLn". El generador de vapor puede usarse tres veces después de que aparece el mensaje "run" "PCLn", y entonces el generador de vapor no funciona mientras no haya terminado el ciclo de autolimpieza.

**NOTA:** Es típico que salga agua del cabezal de vapor cuando la función de autolimpieza está activa. Este es el funcionamiento normal durante el ciclo de autolimpieza.

**NOTA:** El ciclo de autolimpieza debe terminar por completo antes de que pueda reiniciarse el funcionamiento del generador de vapor.

- Para activar la función de autolimpieza, oprima simultáneamente los botones de "temporizador", "aumentar" y "disminuir", y sosténgalos oprimidos durante 5 segundos. En el indicador aparece "PCLn", "On", y luego aparece la cuenta regresiva del tiempo de la función de autolimpieza hasta que termina el proceso de limpieza. El ciclo de limpieza puede durar hasta 45 minutos, y se apaga automáticamente al terminar.

**NOTA:** Si se interrumpe la corriente eléctrica al generador de vapor durante la función de autolimpieza, es necesario reiniciar el ciclo de autolimpieza una vez que la corriente eléctrica se restaura.

## Cuidado y limpieza

Para obtener los mejores resultados, tenga presente lo siguiente al limpiar su producto KOHLER:

- Siempre pruebe la solución de limpieza en un área oculta antes de aplicarla a toda la superficie.
- Limpie las superficies con un paño, y enjuague completa e inmediatamente con agua después de haber aplicado algún limpiador. Enjuague y seque las superficies cercanas donde hayan caído salpicaduras.
- No deje mucho tiempo los limpiadores en las superficies.
- Utilice una esponja humedecida, o un paño suave y húmedo. Para limpiar las superficies nunca utilice materiales abrasivos, como cepillos o estropajos.

Para obtener información detallada de limpieza y de productos a considerar, visite [www.kohler.com/clean](http://www.kohler.com/clean). Para solicitar información sobre cuidado y limpieza, llame al 1-800-456-4537.

## Resolución de problemas

**NOTA:** Los pasos de resolución de problemas solo se aplican al control de vapor. En el caso de asuntos del generador de vapor consulte la sección "Resolución de problemas" en las instrucciones de instalación del generador de vapor.

**NOTA:** Para consultar información sobre piezas de repuesto, visite la página de su producto en [kohler.com/serviceparts](http://kohler.com/serviceparts).

Esta guía de resolución de problemas está diseñada únicamente como ayuda general. Si tiene preguntas con respecto al servicio y a la instalación, llame a 1-800-4KOHLER.

Síntomas	Causas probables	Acción recomendada
1. Aparece Error 1, 2, 3, 4, 7 u 8.	A. Un botón en la interface del usuario está atorado.	A. Apague la corriente eléctrica al generador de vapor y trate de soltar el botón atorado. Restablezca la corriente eléctrica al generador de vapor.

<b>Resolución de problemas (cont.)</b>		
<b>Síntomas</b>	<b>Causas probables</b>	<b>Acción recomendada</b>
	<b>B.</b> La interface del usuario está dañada.	<b>B.</b> Comuníquese con el Centro de Atención al Cliente mediante la información en la página posterior de este manual.
2. Aparece Error 5.	<b>A.</b> El nivel del tanque de agua está demasiado bajo (la luz verde de estado en el generador de vapor está iluminada).	<b>A.</b> Revise el tamiz de la entrada de agua y límpielo si es necesario. Asegúrese de que la válvula de suministro de agua esté abierta y de que se esté suministrando agua al generador de vapor.
	<b>B.</b> El límite de temperatura del tanque ha sido excedido (la luz de estado verde en el generador de vapor está iluminada).	<b>B.</b> Comuníquese con el Centro de Atención al Cliente mediante la información en la página posterior de este manual.
	<b>C.</b> Los componentes internos del generador de vapor no están funcionando correctamente.	<b>C.</b> Comuníquese con el Centro de Atención al Cliente mediante la información en la página posterior de este manual.
3. Aparece Error 6.	<b>A.</b> La interface del usuario está instalada demasiado cerca al cabezal de vapor.	<b>A.</b> Cambie de lugar la interface del usuario lo más lejos posible del cabezal de vapor.
4. El indicador está en blanco.	<b>A.</b> El suministro eléctrico al generador de vapor es inadecuado (la luz verde de estado en el generador de vapor está apagada).	<b>A1.</b> Aplique el suministro eléctrico adecuado al generador de vapor. De ser necesario, use el kit de prueba que se incluye para asegurar que el generador de vapor esté funcionando correctamente.
		<b>A2.</b> Comuníquese con el Centro de Atención al Cliente mediante la información en la página posterior de este manual.
	<b>B.</b> La interface del usuario no está recibiendo suministro eléctrico del generador de vapor (la luz verde de estado en el generador de vapor está iluminada).	<b>B.</b> Use el kit de prueba incluido y las instrucciones para identificar el origen del problema.
	<b>C.</b> La interface del usuario está dañada (la luz verde de estado en el generador está iluminada).	<b>C.</b> Comuníquese con el Centro de Atención al Cliente mediante la información en la página posterior de este manual.
5. Sale agua del cabezal de vapor.	<b>A.</b> Funcionamiento normal.	<b>A.</b> Normalmente sale una pequeña cantidad de agua del cabezal de vapor justo antes, durante, y después del uso del generador de vapor, así como cuando se activa la función de autolimpieza.
	<b>B.</b> Las líneas de suministro de agua están conectadas incorrectamente.	<b>B.</b> Revise la guía de instalación del generador de vapor y vuelva a instalar las líneas de suministro de agua en los lugares apropiados.
	<b>C.</b> Los componentes internos del generador de vapor no están funcionando correctamente.	<b>C1.</b> Cierre el suministro de agua al generador de vapor. Si es posible, vacíe el tanque. Abra lentamente la válvula de suministro de agua para rellenar el generador de vapor.



## Resolución de problemas (cont.)

Síntomas	Causas probables	Acción recomendada
		<b>C2.</b> Comuníquese con el Centro de Atención al Cliente mediante la información en la página posterior de este manual.
6. No hay vapor después de 5 minutos de haber encendido el generador de vapor.	<b>A.</b> Ha ocurrido un error.	<b>A.</b> Vea si hay mensajes de error en la interface del usuario. Si aparece un mensaje de error, consulte la resolución de problemas para el mensaje de error.
	<b>B.</b> Ya se ha alcanzado la temperatura preseleccionada.	<b>B.</b> Confirme que la temperatura preseleccionada sea más alta que la temperatura actual del cuarto de vapor. Si lo desea, aumente la temperatura preseleccionada.
	<b>C.</b> El suministro eléctrico al generador de vapor es inadecuado (la luz verde de estado en el generador de vapor está apagada).	<b>C1.</b> Aplique el suministro eléctrico adecuado al generador de vapor. Si es necesario use el kit de prueba, que se incluye, para asegurar que el generador de vapor esté funcionando correctamente.
		<b>C2.</b> Comuníquese con el Centro de Atención al Cliente mediante la información en la página posterior de este manual.
	<b>D.</b> La línea de vapor o el cabezal de vapor están bloqueados.	<b>D.</b> Revise que no haya obstrucciones en el cabezal de vapor o en la línea de vapor. Elimine todas las obstrucciones.
<b>E.</b> El generador de vapor está dañado.	<b>E.</b> Comuníquese con el Centro de Atención al Cliente mediante la información en la página posterior de este manual.	
7. No se puede poner la hora del reloj ni se pueden cambiar las selecciones.	<b>A.</b> El botón de "encendido" ha sido apagado.	<b>A.</b> Oprima el botón de "encendido" en la interface del usuario.
8. El vapor dejó de salir.	<b>A.</b> Ha ocurrido un error.	<b>A.</b> Vea si hay mensajes de error en la interface del usuario. Si aparece un mensaje de error, consulte la resolución de problemas para el mensaje de error.
	<b>B.</b> Se llegó al límite de tiempo de la sesión a la temperatura preseleccionada.	<b>B.</b> Vuelva a iniciar el temporizador de la sesión o aumente la temperatura preseleccionada para iniciar otro ciclo de vapor.
	<b>C.</b> El suministro eléctrico provisto al generador de vapor fue intermitente o se detuvo.	<b>C.</b> Aplique suministro eléctrico constante al generador de vapor.
9. En el indicador aparece "run" "PCLn".	<b>A.</b> Es necesario activar la función de autolimpieza para mantener el sistema del generador de vapor.	<b>A.</b> Oprima y sostenga oprimidos los botones de "temporizador", "arriba" y "abajo" durante 5 segundos para activar el ciclo de autolimpieza. Vea las instrucciones en esta guía.





USA/Canada: 1-800-4KOHLER

México: 001-800-456-4537

[kohler.com](http://kohler.com)

THE BOLD LOOK  
OF **KOHLER**®

©2019 Kohler Co.

1387543-2-A