

**SPECIFICATIONS**

**Features/Benefits**

- Diverter on Tub Spout (D501018TC/D502018TC Only)
- Requires Gerber Treysta® Rough-In, G00GS50 Series (Horizontal Inputs) or G00GS52 Series (Vertical Inputs), Sold Separately
- Includes Treysta® Ceramic Disc Pressure Balance Cartridge
- Includes Vaughn® Single Function Showerhead, D460218 (1.75 gpm) or D460118 (2.0 gpm)
- 1.75 gpm (6.6 L/min) Max Flow @ 80 psi (D501018TC/D501518TC)
- 2.0 gpm (7.6 L/min) Max Flow @ 80 psi (D502018TC/D502518TC)
- 6" Metal Shower Arm
- 6" Tub Spout, D606467 (D501018TC/D502018TC Only)
- Finish-Matched Deep Wall Kit, D113001, Sold Separately
- Finish-Matched Shallow Wall Kit, GA663B11, Sold Separately



**Available Color/Finishes**

Color	Description
	Chrome

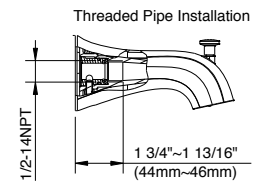
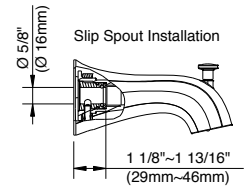
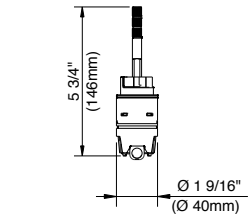
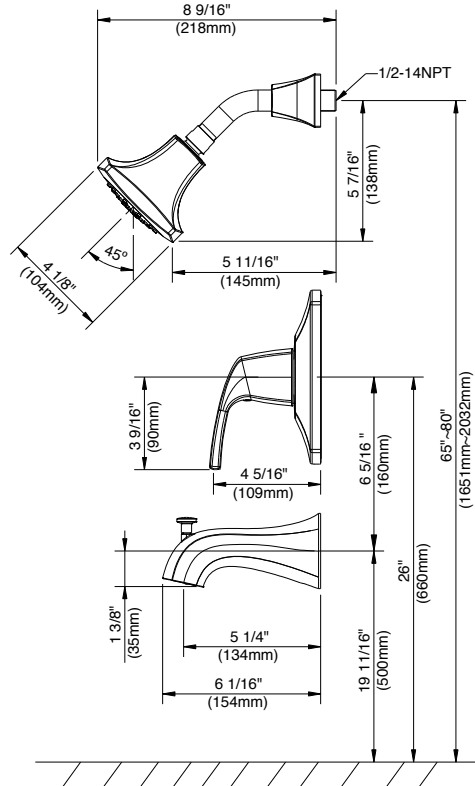
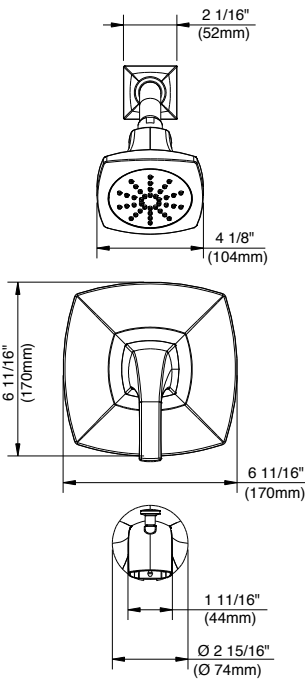
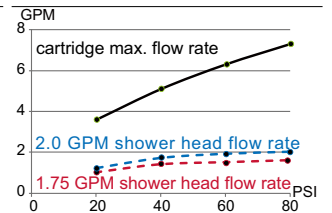
Please see [gerberonline.com](http://gerberonline.com) or current price list for available finishes. Finish is defined by additional suffix.

**Standards & Certifications**



(Lever Handle)

**Flow Rate**



**Submittal Information:**

Name: \_\_\_\_\_  
Location: \_\_\_\_\_

Contractor: \_\_\_\_\_  
Contact #: \_\_\_\_\_