

SPECIFICATIONS

PARMA™ ROMAN TUB FAUCET TRIM KIT

Model

D305658T

Description

- 2 handle with solid brass spout
- Slip spout mounting
- Fits 1 3/8" to 1 1/2" diameter mounting hole
- Use with valve: D210000BT (10" CC Fixed) or D215000BT (Widespread)

Standards



• UPC/cUPC

MEETS ASME
A112.18.1M/A112.18.1

• ASME A112.18.1M/A112.18.1



• ADA Accessibility Guidelines for
Buildings and Facilities -
309.4 Operation for Operable Parts

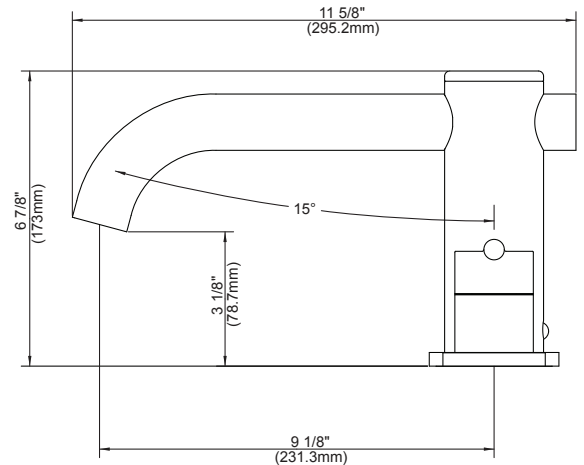
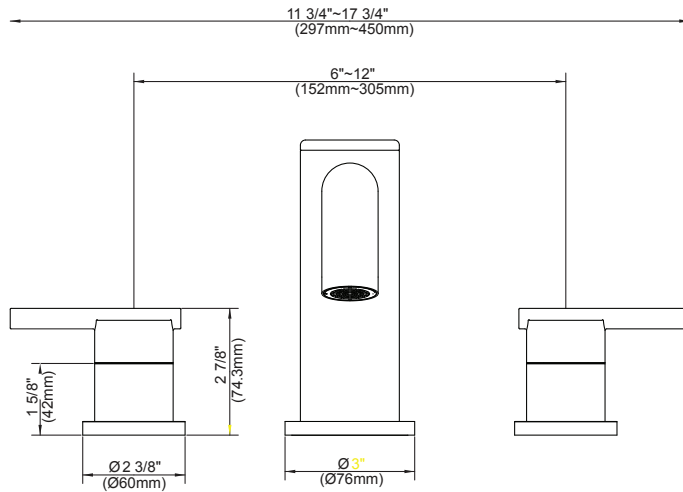
Warranty

Danze products are covered by a manufacturer's limited "lifetime" warranty for manufacturing defects.



Finishes Available

- Chrome
- Brushed Nickel



Submittal Information:

Job Name: _____

Location: _____

Contractor: _____

Contact #: _____