



see what Delta can do™

INTEGRATED SHOWER DIVERTER TRIM

- Contemporary Valve Trim with Three Function Diverter (T27T859)
- Contemporary Valve Trim with Six Function Diverter (T27T959)
- Three Lever Handles

FEATURES:

- TempAssure® 17T Thermostatic bath mixing valve trim
- Three or six function diverter

STANDARD SPECIFICATIONS:

- Main control utilizes Thermostatic Valve cartridge
- Thermostatic wax element maintains the outlet temperature to $\pm 3.6^{\circ}\text{F}$
- For use with MultiChoice® Universal integrated shower diverter rough valve body (R22000 Series)
- Top handle controls diverter functions
- Bottom handles (2) control on/off and temperature
- Field adjustable to limit bottom handle rotation into hot water zone
- Bottom handle 90° Maximum rotation
- Red/blue indicator markings
- Three function diverter for 2 individual positions, 1 shared position
- For two individual functions, no shared functions, order additional RP71717
- Six function diverter for 3 individual positions, 3 shared positions
- For three individual functions, no shared functions, order additional RP71718
- 1/2" rough-in
- Cartridges included
- Standard installation allows up to 1-1/8" finished wall thickness
- Thick wall installation kit RP90544 can be ordered to allow for up to 2-1/8" finished wall thickness

WARRANTY

- Lifetime limited warranty on parts (other than electronic parts and batteries) and finishes: or, for commercial users, for 5 years from date of purchase.
- 5 year limited warranty on electronic parts (other than batteries); or, for commercial users, for 1 year from the date of purchase. No warranty is provided on batteries.

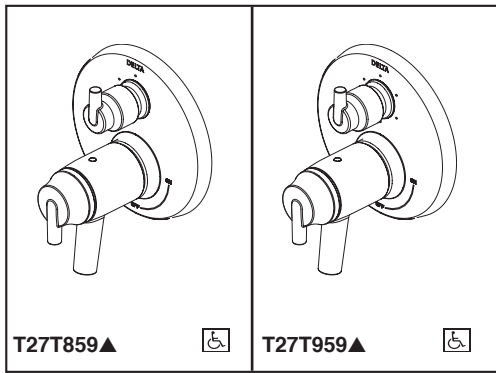
COMPLIES WITH:

- ASME A112.18.1 / CSA B125.1
- Indicates compliance to ICC/ANSI A117.1 - Valve control only

Maximum Flow Rate Guide

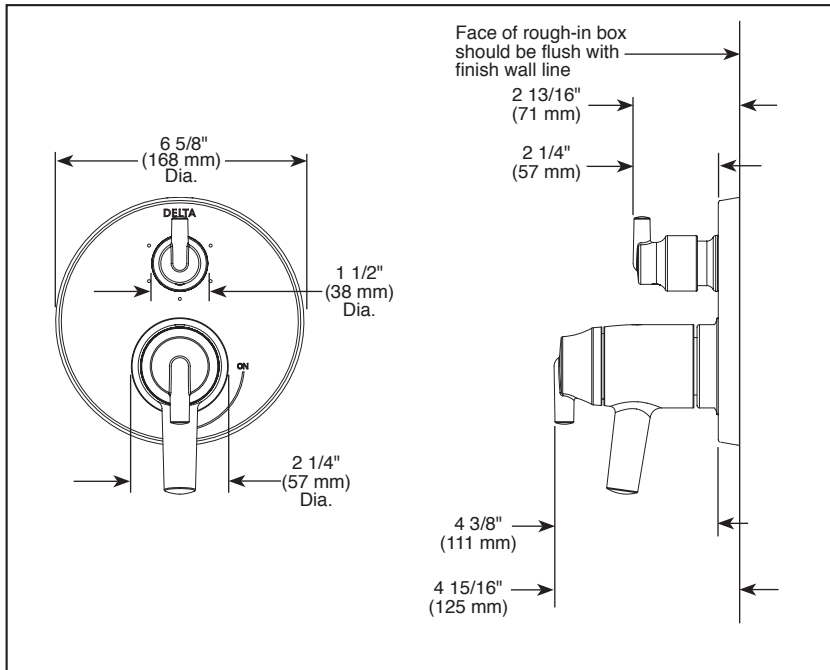
Rough	Cartridge	Outlet	40 psi	60 psi	80 psi
R22000	17T	Shower	5.9 gpm	7.2 gpm	8.3 gpm
R22000-WS	17T	Shower	5.3 gpm	6.5 gpm	7.4 gpm

Based on 6 Setting Diverter

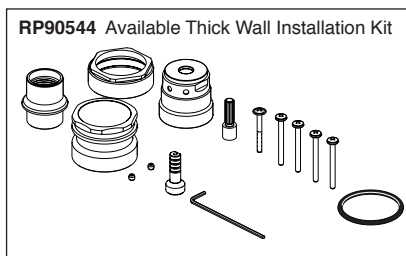


Submitted Model No.: _____

Specific Features: _____



▲ Designate Proper Finish Suffix



Delta reserves the right (1) to make changes in specifications and materials, and (2) to change or discontinue models, both without notice or obligation. Dimensions are for reference only. See current full-line price book or www.deltafaucet.com for finish options and product availability.

DSP-B-T27T859 Rev. D

Delta Faucet Company

55 E. 111th Street, Indianapolis, IN 46280
 350 South Edgeview Road, St. Thomas, ON N5P 4L1
 © 2018 Delta Faucet Company