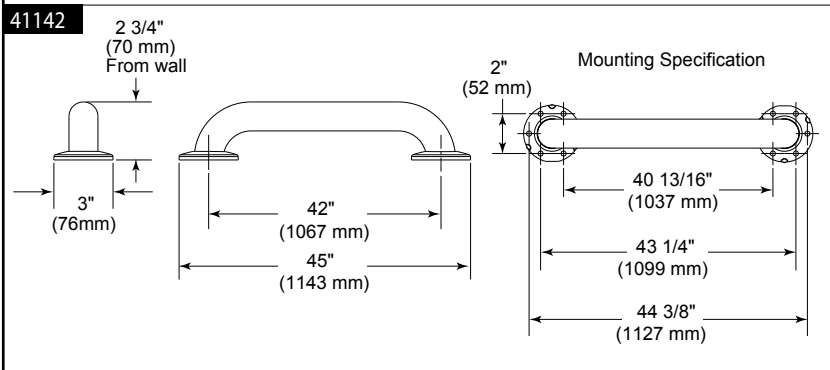
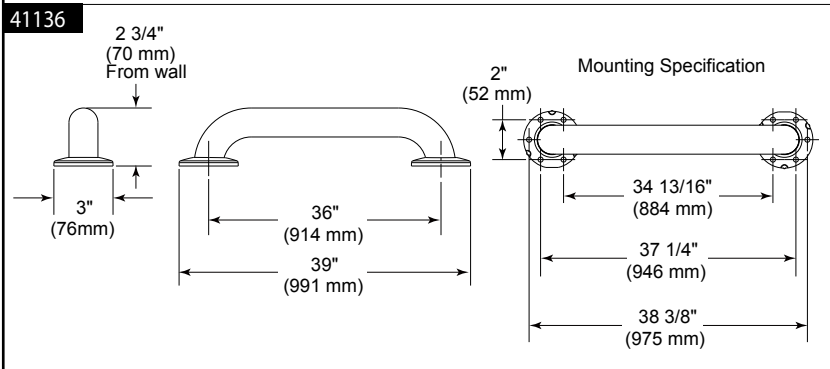
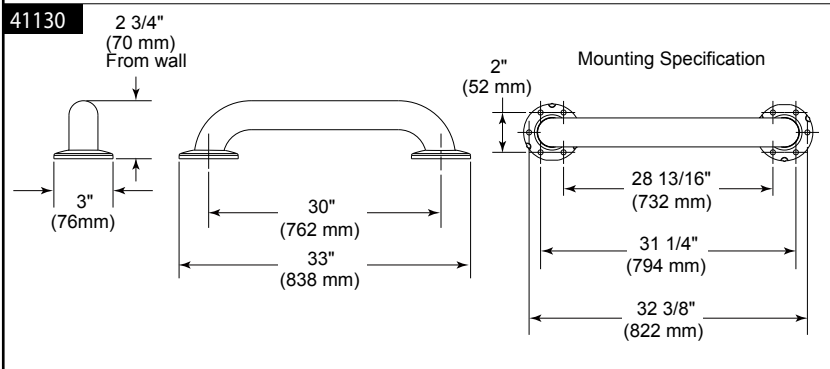
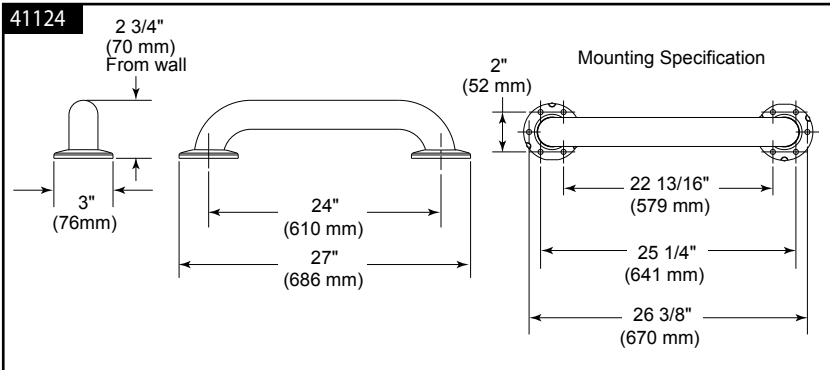


ACCESSORIES

- Grab bars
- Meets ADA Standards

Submitted Model No.: _____

Specific Features: _____



STANDARD SPECIFICATIONS

- 1-1/4" O.D. stainless steel tubing.
- Concealed mounting.
- For forces up to 500 pounds.
- 1 1/2" wall clearance.
- Wood blocking is preferable behind all wall surfaces. If wood blocking is not available, the following fasteners are suggested: Tile/Masonry-Plastic or lead Anchors Plaster/drywall-Toggle bolts.
- Mounting hardware included with product.

WARRANTY

- Lifetime Faucet and Finish Limited Warranty to the Original consumer purchaser to be free from defects in material and workmanship.
- 5 Year Limited Warranty for usage in all Industrial, Commercial and business applications.



COMPLIES WITH

Indicates compliance to ICC/ANSI A117.1



Liberty Hardware Manufacturing Corporation
 140 Business Park Drive
 Winston-Salem, NC 27107
 800.542.3789
 www.libertyhardware.com
 ©2012 LHMC, A Masco Company

▲ Designate proper finish suffix

Delta reserves the right (1) to make changes in specifications and materials, and (2) to change or discontinue models, both without notice or obligation. Dimensions are for reference only. See full-line price book or www.specselect.com for finish options and product availability.