

## Model# 0033-1/2PV-02

### Self-Close Wallmount Faucet

#### FEATURES & SPECIFICATIONS

- 4-Arm Vandal Proof Handle
- Plain End
- 1/2-14 NPS Female Thread
- Replaceable Seat
- 1-Hole Wallmount
- Solid Flange

#### FINISHES

- PC Polished Chrome

#### STANDARDS

- ASME A112.18.1
- CUPC / IAPMO LISTED
- CONTAINS NO MORE THAN 0.25% WEIGHTED AVERAGE LEAD CONTENT



#### WARRANTY

- Lifetime Limited Warranty
- Lifetime Residential Warranty
- 5 Year Commercial Warranty

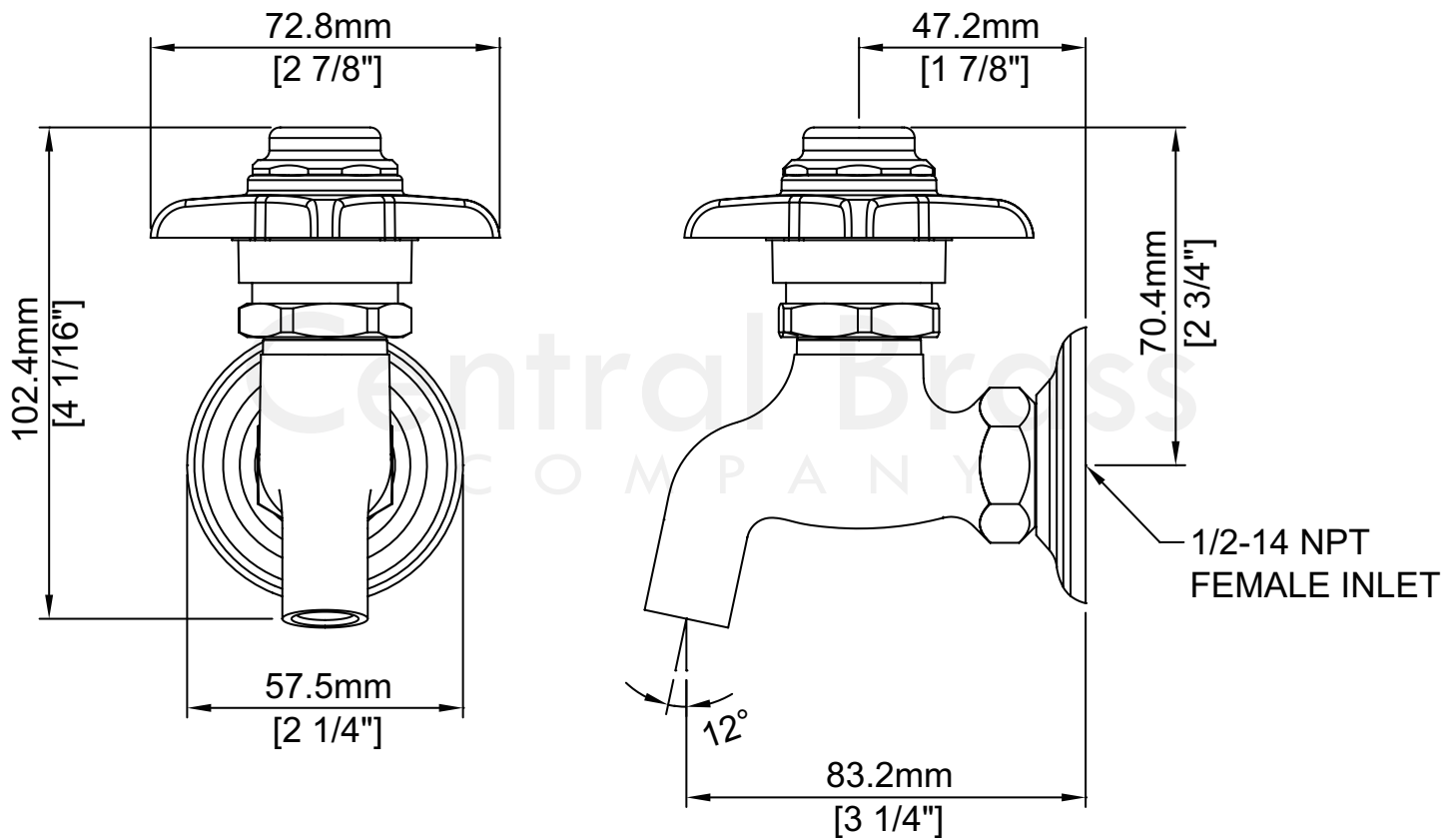
0033-1/2PV-02/REV. 11 2016

Product Specifications subject to change without notice

Job Name \_\_\_\_\_ Date \_\_\_\_\_  
Model Specified \_\_\_\_\_ QTY \_\_\_\_\_  
Customer/Wholesaler \_\_\_\_\_  
Contractor \_\_\_\_\_  
Architect/Engineer \_\_\_\_\_  
Submitted as Shown \_\_\_\_\_  
Submitted w/ Variations \_\_\_\_\_

## Model# 0033-1/2PV-02

### Self-Close Wallmount Faucet



0033-1/2PV-02/REV. 11 2016

Product Specifications subject to change without notice