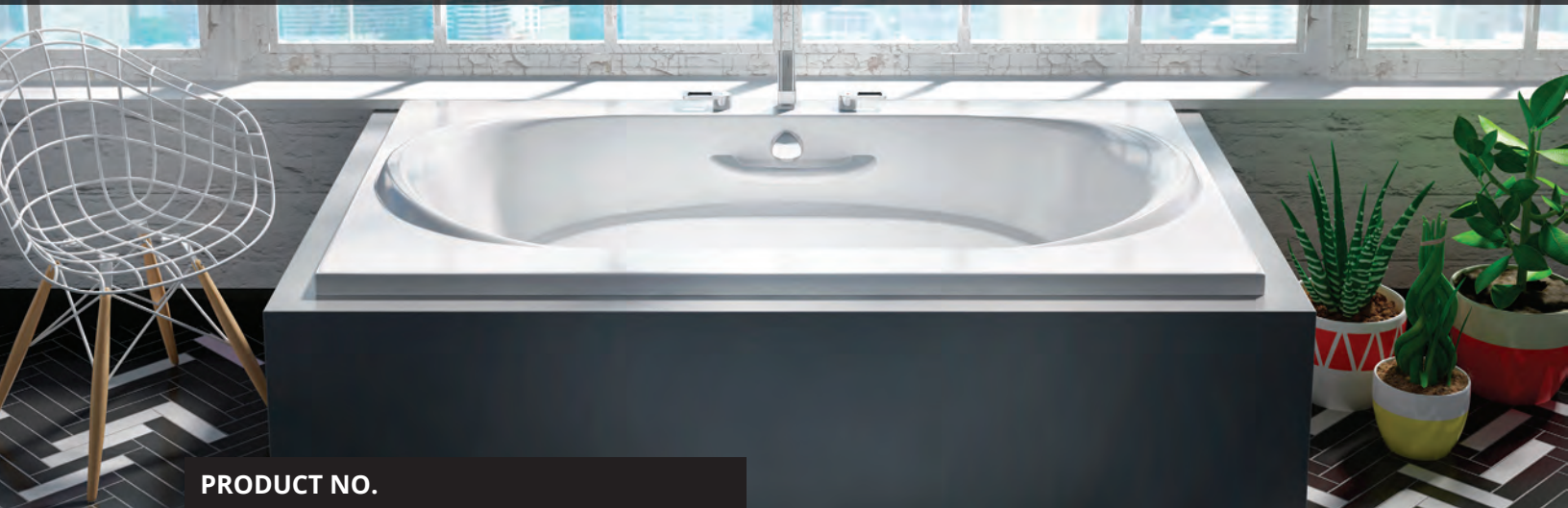


AMMA 7242

72" x 42" x 22"

Amma takes its origin in the word "massage" as represented by two Chinese characters, AN and MO, meaning "calm through touch."





PRODUCT NO.

MODEL	TMU	TUB
	BAMVRB00T-XX	BAMVRB00N-XX

THERMOMASSEUR (TMU) Hydro-thermo massage • Air jet system	\$8,105
Jets	58
2 heated backrests & headrests*	Included
MiaPlus® Control	Included
BU-Touch Control Application BUTOUCH	\$430
Geysair®	Included
AromaCloud®*** BAROMAC	\$490
AromaFlow**** BAROMAF NEW	\$950
Illuzio Chromatherapy BCHRO6	\$925

TUB Soaker	\$5,060
AromaCloud®*** BAROMAC	\$490
AromaFlow**** BAROMAF NEW	\$950
Illuzio Chromatherapy BCHRO6	\$925
WarmTouchShell® BWTS	\$1,125
DOT control	Included with therapy
2nd WarmTouchShell® BWTS2	\$370

FEATURES

Installation type	Drop-in & Alcove (3 walls)		
No. of bathers	2	Inverted V	2
US gallons	65	Armrests	4
Imp. gallons	54	Grab bars (color match)	2
Raised seats	2		
STANDARD COLOR			
 White 01	 Biscuit 02	Included	

OPTIONS (UPCHARGE APPLICABLE)

SKIRT	MULTIFIT BSMUL-XX	SJ-1 BSJ1-XX
White 01, Biscuit 02	\$600	\$715
CLEAR ACRYLIC GRAB BARS BGBG10-XX		
With Chrome 07 or Brushed Nickel 09 inserts		\$60
TILE FLANGE (specify front or back)		
Ordered with bath (not installed) BTILEN		\$79
Factory-installed. Front BTILEF, Back BTILEB, Special installation BTILEO		\$155
WASTE & OVERFLOW	16" x 35" BOVER16-XX	INTE-GRATED BOVERIN-XX
Chrome 07	\$260	\$235
White 01, Biscuit 02	\$290	\$235
Brushed Nickel 09, Polished Nickel 10	\$400	\$235
Oil-rubbed Bronze 11	\$400	N/A
Matte Black 19, Satin Brass 18	N/A	\$355
IF REQUIRED BY CONSTRUCTION CODE		
Brass waste & overflow kit*** BDRCOB		\$240
Brass waste kit*** BDRCB		\$60
16" x 35" Cable driven brass waste & overflow kit BOVERBR		\$240



- * Independently controlled.
- ** The AromaCloud® is built into the deck (factory installed).
- *** When ordered with integrated waste & overflow.
- **** When ordering an AromaFlow, an Integrated waste & overflow is mandatory (Upcharge). Specify the finish of the waste. With the AromaFlow, the included Grab Bars can not be installed.



AMMA 7242



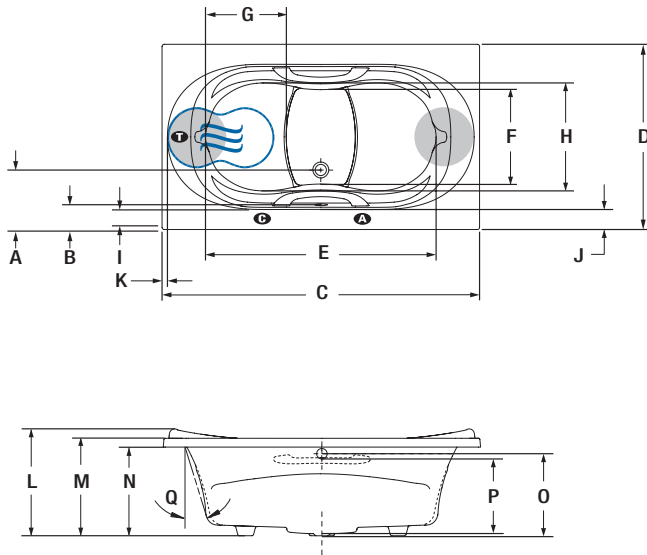
Inverted V backrest



Molded heated headrest

INSTALLATION

- A** When tile flange is added, the AromaCloud® will automatically be installed on the opposite side of the flange.



LETTER	DESCRIPTION	MEASURE
A	Outside edge to center drain	13 1/2"
B	Outside edge to overflow	5 3/8"
C	Total length	72 1/4"
D	Total width	42"
E	Bathing well length	52 1/4"
F	Bathing well width at center zone	21 3/8"
G	Raised seat length	18 5/8"
H	Raised seat width	24"
I	Deck width (narrowest point)	4"
J	Deck width (widest point)	5 1/4"
K	Deck width at backrest end end	1 1/4"
L	Total height to headrest	24 1/4"
M	Height from bottom of bath to top deck	22 1/8"
N	Height from bottom of bath to bottom of deck	20 1/8"
O	Height from bottom of drain to center of overflow	18 1/8"
P	Maximum water level (Waste & overflow 16" x 35")	16 3/8"
	Maximum water level (Integrated waste & overflow)	17 3/8"
	Maximum water level with AromaFlow	16 3/4"
Q	Slope of backrests	18°

- A** AromaCloud® position
G Control position when factory-installed (Mia® or DOT)
T Turbine position (TMU)
 ● Indicates heated backrest (TMU)
 Indicates WarmTouchShell® position (TUB)

TECHNICAL SPECIFICATIONS

Hot water supply required	The hot water supply should be 70% or more of the bath's total water capacity.
Turbine	Access to the pump must be at least 18" x 22". Standard connection is two (2) dedicated breakers: One is 20A, 120 V, 60 Hz, and the other 15A, 120 V, 60 Hz, dedicated lines with a GFCI. Air vent necessary: 2" x 4" minimum.
Others	<ul style="list-style-type: none"> - The Geysair® is located on the same side as the heated backrest. It must NOT be relocated. It must be connected to the hot water supply and be accessible (provide access). - Optional tile flange (specify front or back). - The water level will vary when an AromaFlow is installed.

Our products must be installed by certified professionals only and according to our Owner's Manual as well as federal, provincial/state and local building codes and regulations (www.bainultra.com/dealers/dealer-documentation-and-catalog).

The specifications shown indicate the outer edge dimension and the inside bathing capacity dimension measured at air jets' height. The manufacturer accepts a 1/4" [0.64 cm] variance. There are variations on each product and specifications are subject to change as we improve upon our product as required. The dimensions needed for site preparation and structure building will differ. BainUltra® assumes no responsibility for preparatory work done prior to the product being on site.

Approx. shipping weight	195 lb
Turbine power	550 W
Air heater	600 W
WARRANTY	
Controls-LED-Geysair*	5 years
Bath & turbine*	20 years

*Some restrictions apply | www.bainultra.com/warranty