

HARMONY ABOVE COUNTER BASIN

Cat. No.
4-1095WH



Matte Black



Matte Light Green



Matte Tan



Matte Cream

Top of Vessel

Diameter: 16-1/2"
Above Counter Height: 5-3/4"

Bottom of Vessel

Diameter: 15-1/8"

***Please do NOT drill hole without actual product.**

Interior Dimensions:

Basin diameter : 15-1/2"
Basin depth: 3-5/8"

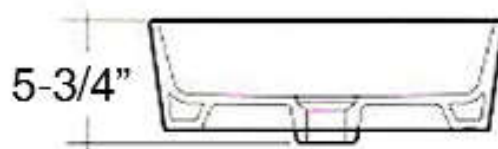
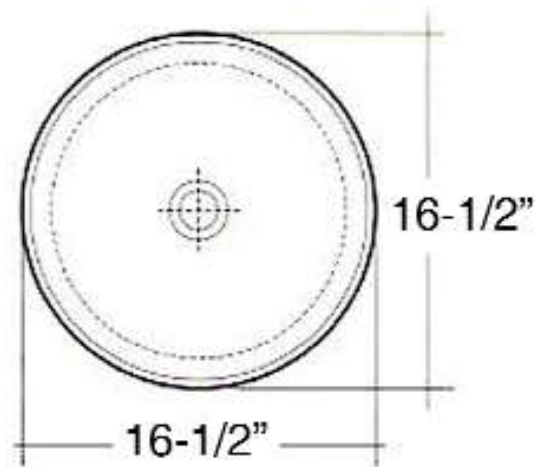
Features:

- ▶ Vitreous China
- ▶ No faucet holes
- ▶ No overflow hole
- ▶ Hardware not included
- ▶ 3/8" Rim
- ▶ Coordinating ceramic pop-up drain sold separately
(HARDR-MBL, HARDR-MCR, HARDR-MLG, HARDR-MTA, HARDR-MWH)

Colors:

WH White
MBL Matte Black
MWH Matte White
MLG Matte Light Green
MTA Matte Tan
MCR Matte Cream

Compliance Certification
Meets or exceeds the following specifications: ASME A112.19.2 2013 and CSA B45.1-13 for plumbing fixtures.



Dimensions of fixture are nominal and may vary within the range of tolerances established by ANSI Standard A112.19.2. Dimensions and specifications subject to change without notice.